

## TYPICAL ELEVATION

THIS INFORMATION IS GENERIC IN NATURE & SUPPLIED FOR GUIDANCE PURPOSES ONLY. JOINT WIDTHS WILL VARY TO SUIT PANEL SIZE & SEALANT USED.  
TOP HAT DIMENSIONS ARE NOMINAL. DIMENSIONS, SPACING, SPANS & STIFFENER REQUIREMENTS WILL NEED TO BE CONFIRMED BY A SUITABLY QUALIFIED PROFESSIONAL TO SUIT THE SPECIFIC APPLICATION.



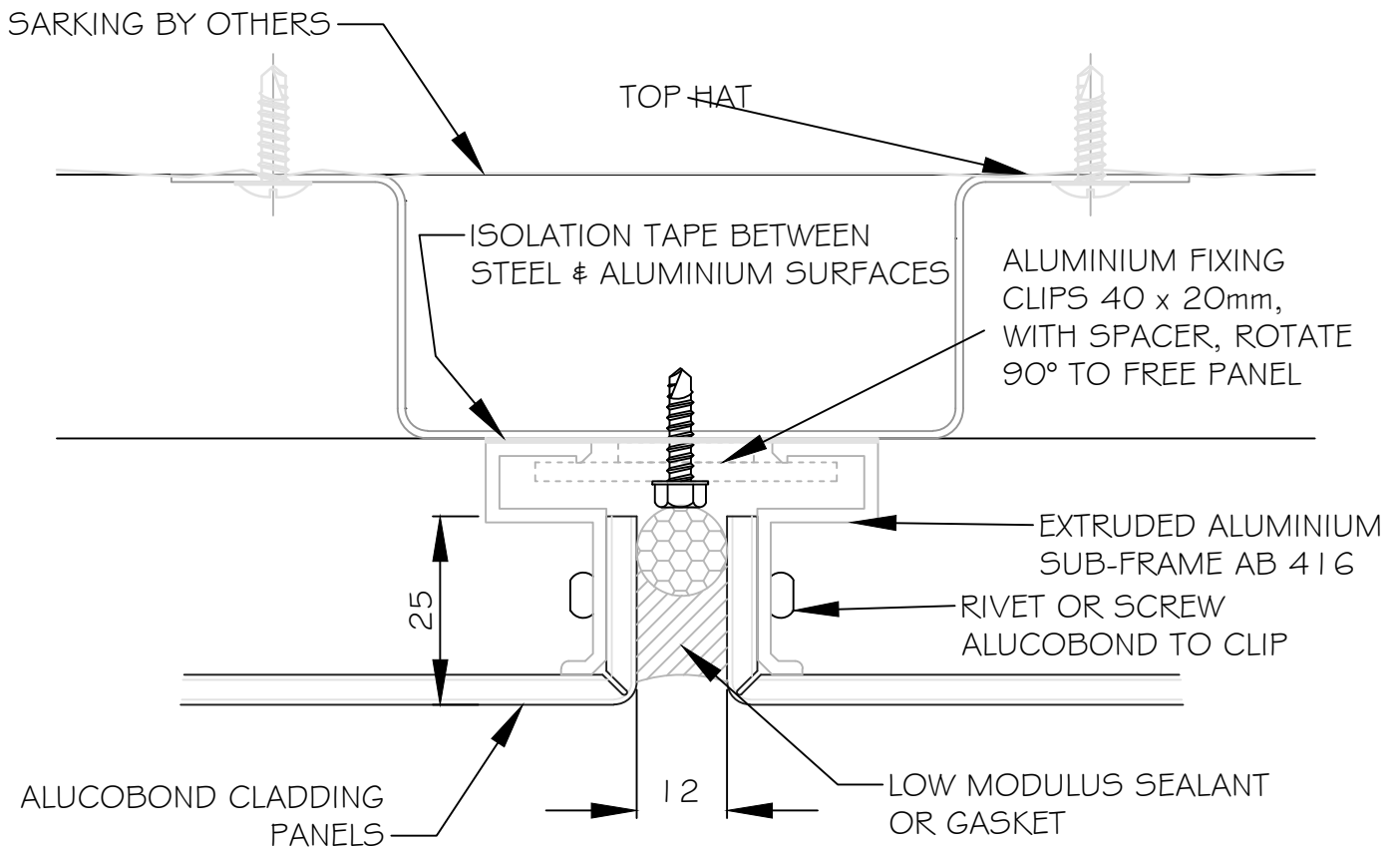
COVER SHEET

PAGE

PO1

ALUCOFIX  
SYSTEM

© ALUCOBOND ARCHITECTURAL.  
ALL RIGHTS RESERVED. THIS DESIGN IS COPYRIGHT AND CAN NOT BE REPRODUCED OR COPIED IN ANY FORM EITHER IN PART OR IN WHOLE WITHOUT THE WRITTEN PERMISSION OF ALUCOBOND ARCHITECTURAL.  
25 WEST PARK DRIVE, DEERUNDT, VIC 3003.



## VERTICAL JOINT

THIS INFORMATION IS GENERIC IN NATURE & SUPPLIED FOR GUIDANCE PURPOSES ONLY. JOINT WIDTHS WILL VARY TO SUIT PANEL SIZE & SEALANT USED.  
TOP HAT DIMENSIONS ARE NOMINAL. DIMENSIONS, SPACING, SPANS & STIFFENER REQUIREMENTS WILL NEED TO BE CONFIRMED BY A SUITABLY QUALIFIED PROFESSIONAL TO SUIT THE SPECIFIC APPLICATION.



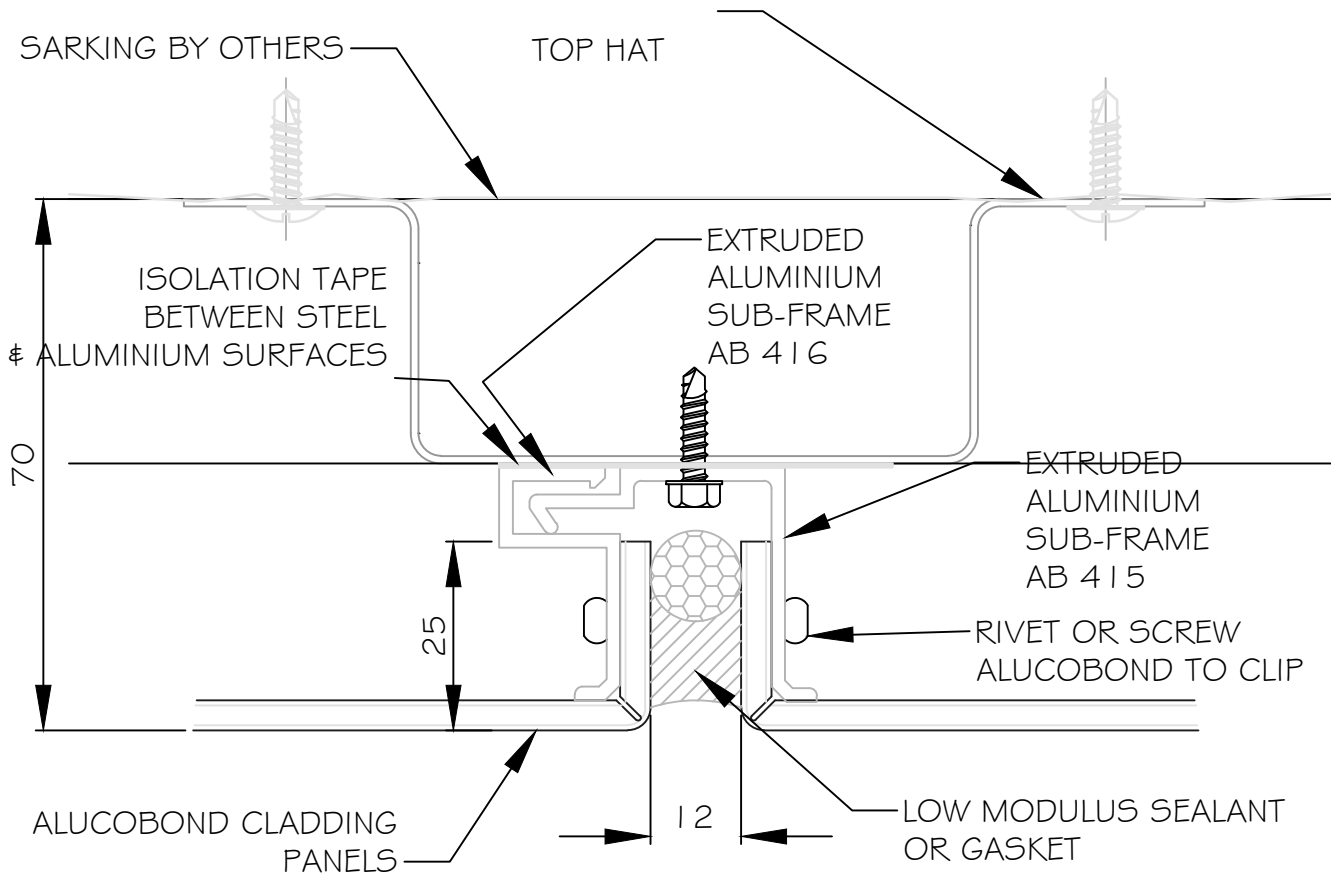
VERTICAL  
JOINT

PAGE

P02

ALUCOFIX  
SYSTEM

© ALUCOBOND ARCHITECTURAL.  
ALL RIGHTS RESERVED. THIS DESIGN IS COPYRIGHT AND CAN NOT BE REPRODUCED OR COPIED IN ANY FORM EITHER IN PART OR IN WHOLE WITHOUT THE WRITTEN PERMISSION OF ALUCOBOND ARCHITECTURAL.  
25 WEST PARK DRIVE, DERRINHAUT, VIC 3030.



## VERTICAL JOINT (ALTERNATIVE)

THIS INFORMATION IS GENERIC IN NATURE & SUPPLIED FOR GUIDANCE PURPOSES ONLY. JOINT WIDTHS WILL VARY TO SUIT PANEL SIZE & SEALANT USED.  
TOP HAT DIMENSIONS ARE NOMINAL. DIMENSIONS, SPACING, SPANS & STIFFENER REQUIREMENTS WILL NEED TO BE CONFIRMED BY A SUITABLY QUALIFIED PROFESSIONAL TO SUIT THE SPECIFIC APPLICATION.



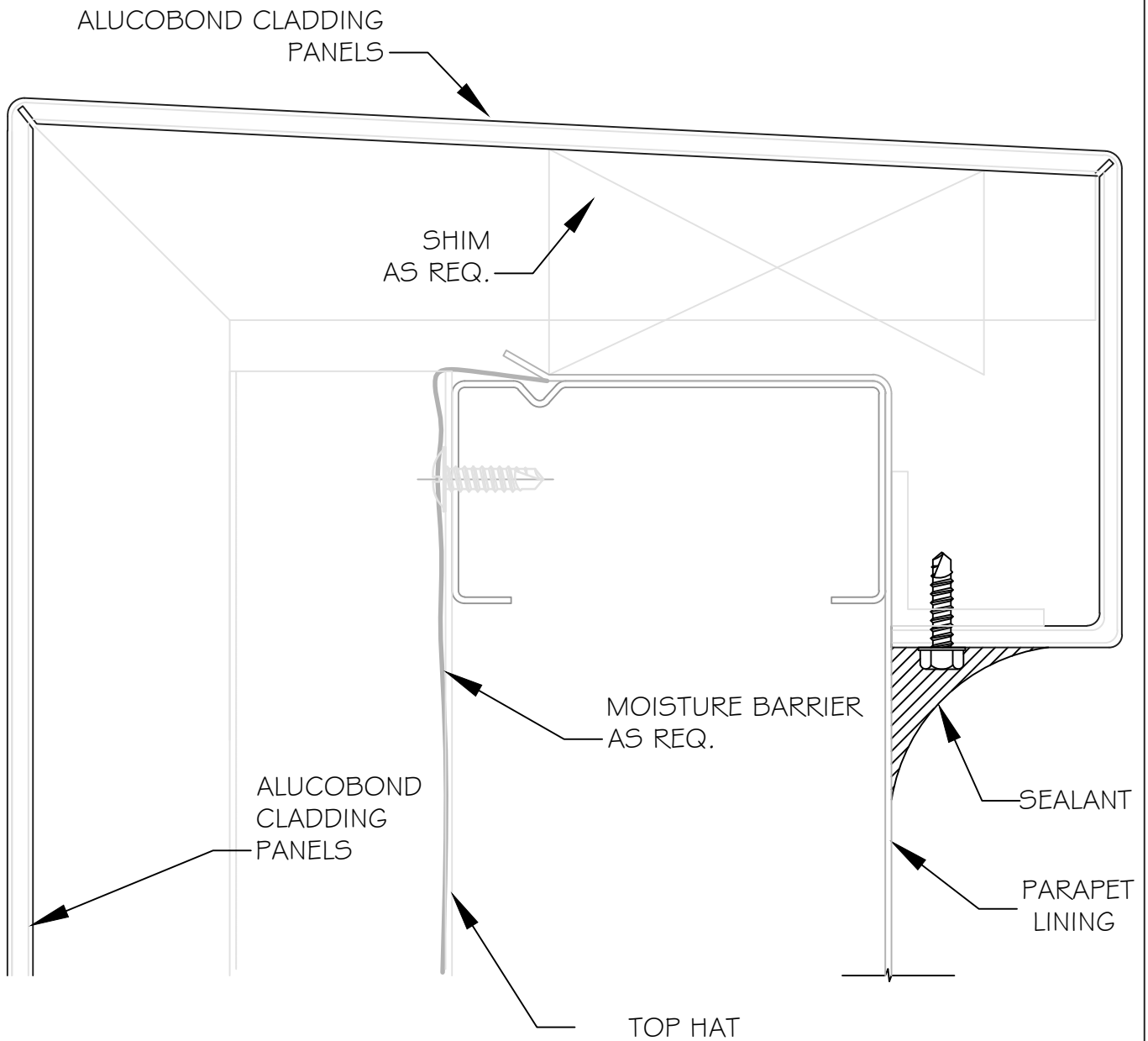
VERTICAL  
JOINT

PAGE

P03

ALUCOFIX  
SYSTEM

© ALUCOBOND ARCHITECTURAL.  
ALL RIGHTS RESERVED. THIS DESIGN IS COPYRIGHT AND CAN NOT BE REPRODUCED OR COPIED IN ANY FORM EITHER IN PART OR IN WHOLE WITHOUT THE WRITTEN PERMISSION OF ALUCOBOND ARCHITECTURAL.  
25 WEST PARK DRIVE, DERRIMUT VIC 3030.



02

## PARAPET DETAIL

THIS INFORMATION IS GENERIC IN NATURE & SUPPLIED FOR GUIDANCE PURPOSES ONLY. JOINT WIDTHS WILL VARY TO SUIT PANEL SIZE & SEALANT USED.  
TOP HAT DIMENSIONS ARE NOMINAL. DIMENSIONS, SPACING, SPANS & STIFFENER REQUIREMENTS WILL NEED TO BE CONFIRMED BY A SUITABLY QUALIFIED PROFESSIONAL TO SUIT THE SPECIFIC APPLICATION.



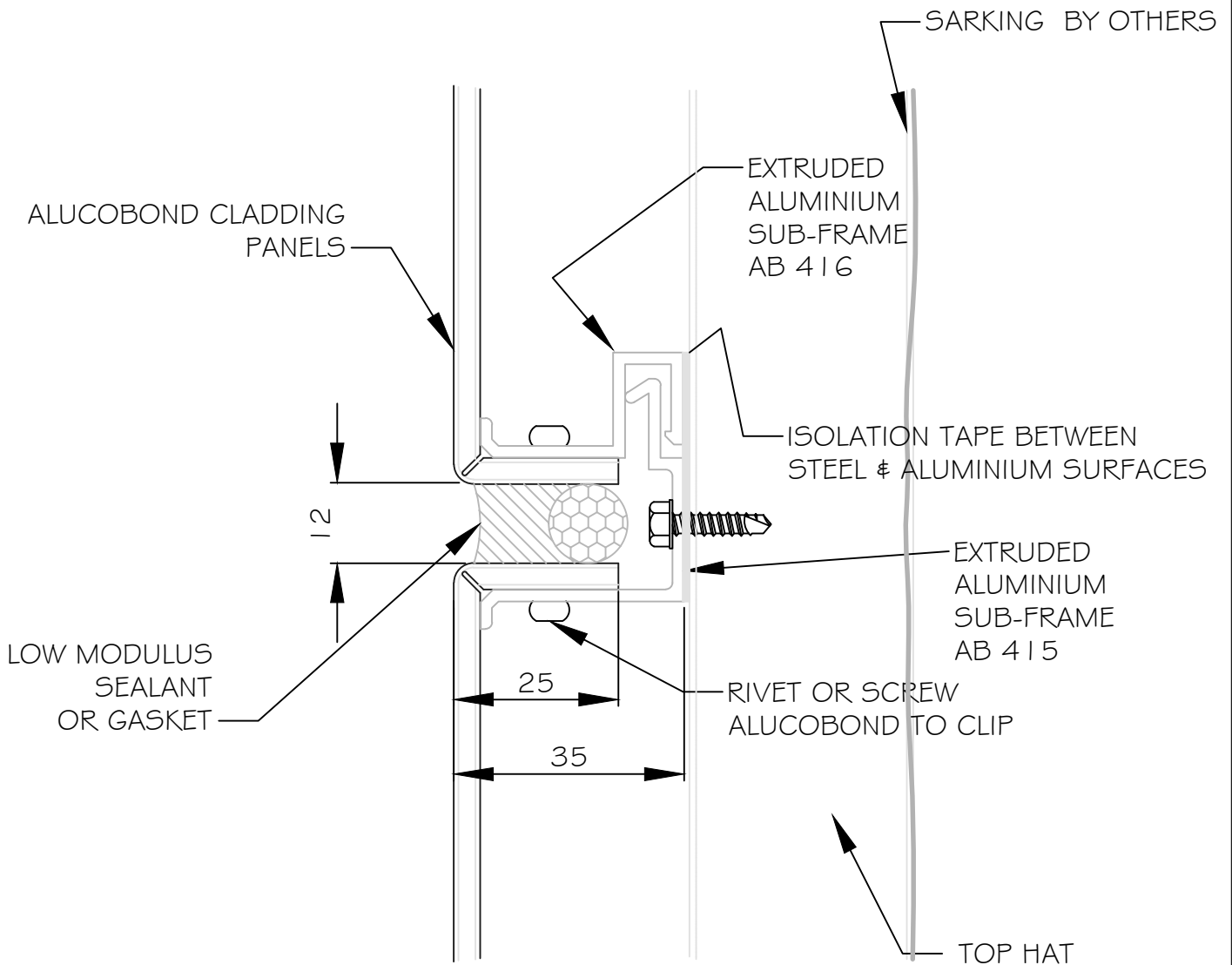
PARAPET  
DETAIL

PAGE

P04

ALUCOFIX  
SYSTEM

© ALUCOBOND ARCHITECTURAL.  
ALL RIGHTS RESERVED. THIS DESIGN IS COPYRIGHT AND CAN NOT BE REPRODUCED OR COPIED IN ANY FORM EITHER IN PART OR IN WHOLE WITHOUT THE WRITTEN PERMISSION OF ALUCOBOND ARCHITECTURAL.  
25 WEST PARK DRIVE, DEERLIFT VIC 3003



03

## HORIZONTAL JOINT DETAIL

THIS INFORMATION IS GENERIC IN NATURE & SUPPLIED FOR GUIDANCE PURPOSES ONLY. JOINT WIDTHS WILL VARY TO SUIT PANEL SIZE & SEALANT USED.  
TOP HAT DIMENSIONS ARE NOMINAL. DIMENSIONS, SPACING, SPANS & STIFFENER REQUIREMENTS WILL NEED TO BE CONFIRMED BY A SUITABLY QUALIFIED PROFESSIONAL TO SUIT THE SPECIFIC APPLICATION.



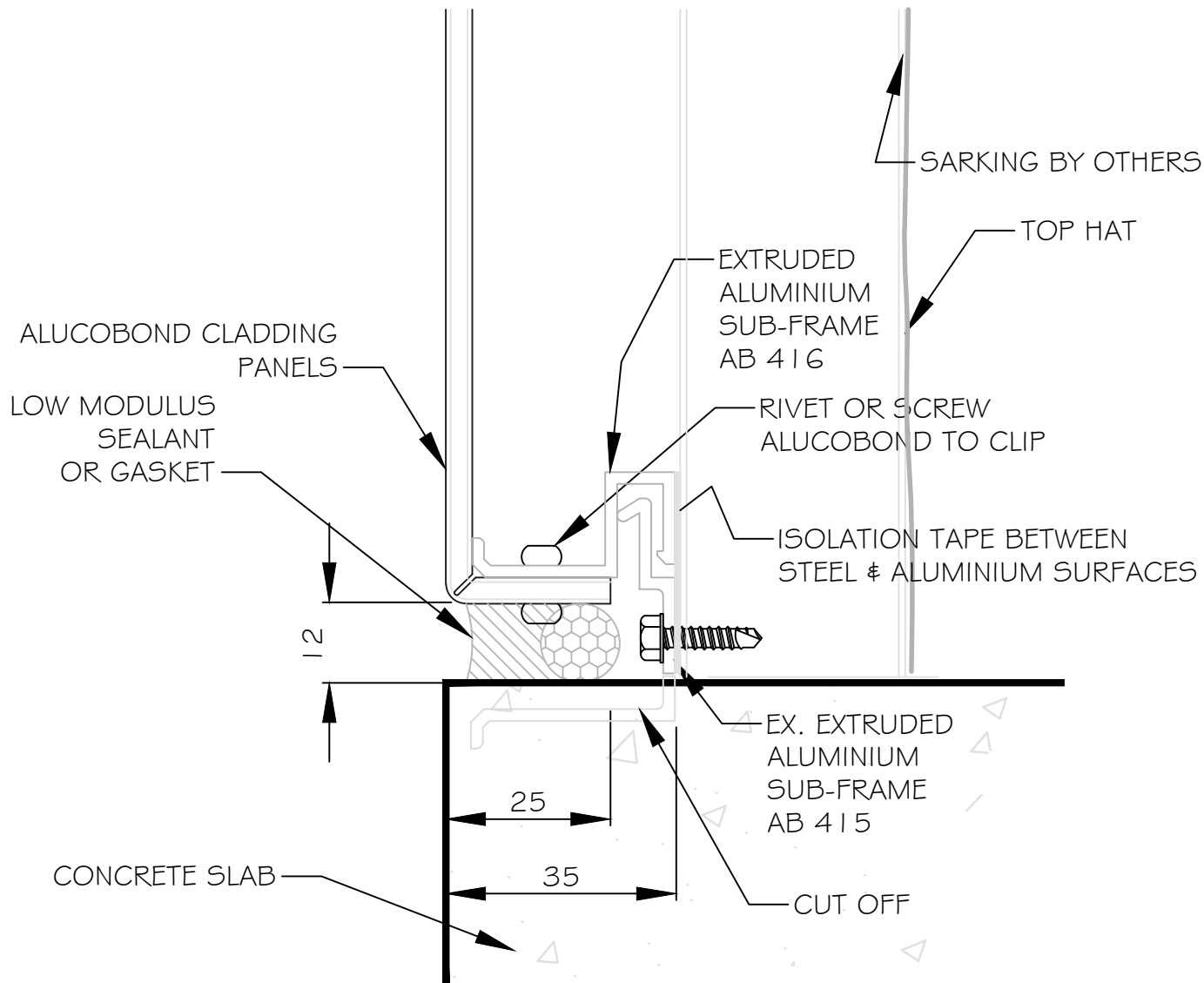
HORIZONTAL  
JOINT

PAGE

P05

ALUCOFIX  
SYSTEM

© ALUCOBOND ARCHITECTURAL.  
ALL RIGHTS RESERVED. THIS DESIGN IS COPYRIGHT AND CAN NOT BE REPRODUCED OR COPIED IN ANY FORM EITHER IN PART OR IN WHOLE WITHOUT THE WRITTEN PERMISSION OF ALUCOBOND ARCHITECTURAL.  
25 WEST PARK DRIVE, DEERLARK VIC 3003.



04

SILL  
DETAIL

THIS INFORMATION IS GENERIC IN NATURE & SUPPLIED FOR GUIDANCE PURPOSES ONLY. JOINT WIDTHS WILL VARY TO SUIT PANEL SIZE & SEALANT USED.  
TOP HAT DIMENSIONS ARE NOMINAL. DIMENSIONS, SPACING, SPANS & STIFFENER REQUIREMENTS WILL NEED TO BE CONFIRMED BY A SUITABLY QUALIFIED PROFESSIONAL TO SUIT THE SPECIFIC APPLICATION.



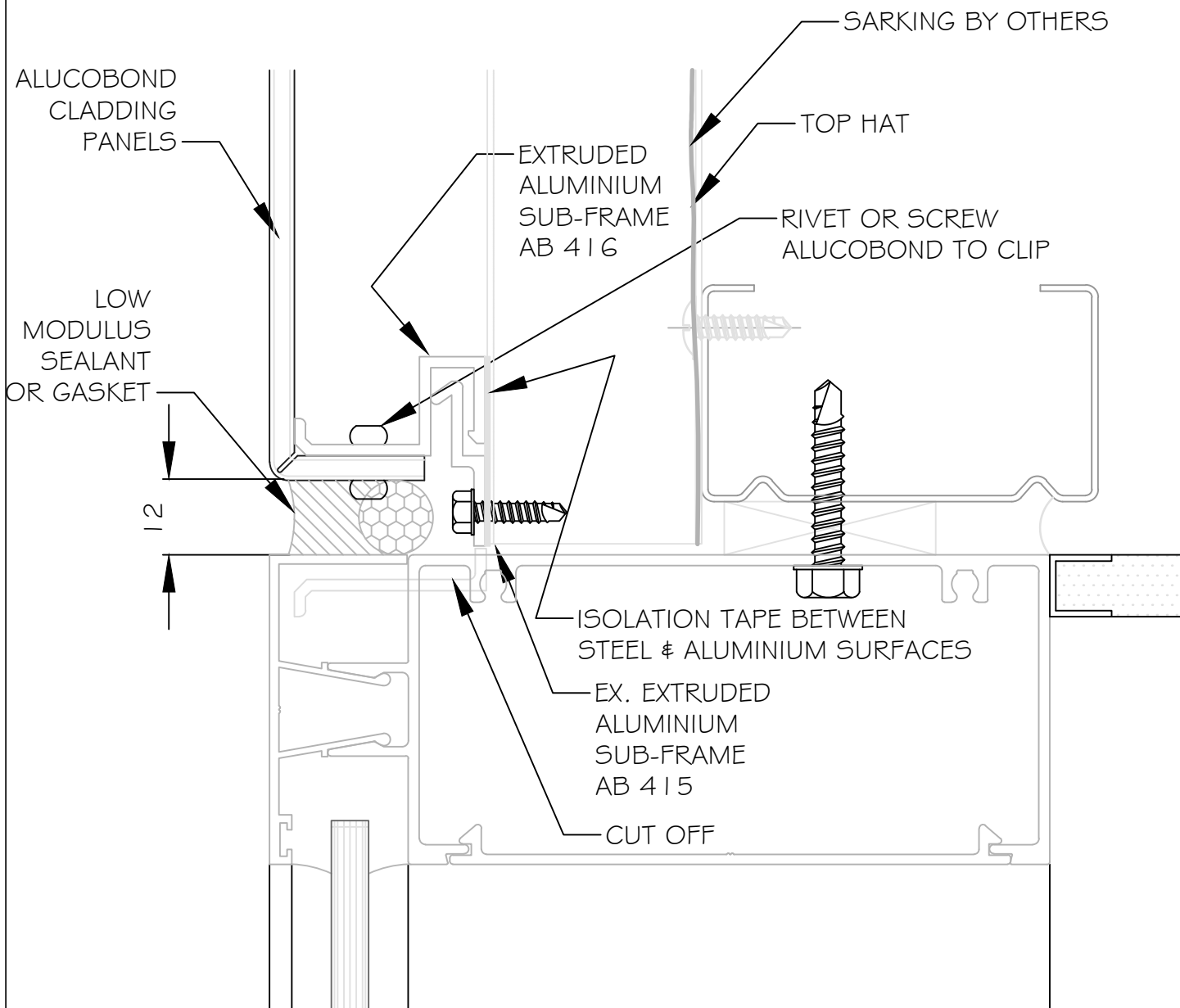
SILL  
DETAIL

PAGE

P06

ALUCOFIX  
SYSTEM

© ALUCOBOND ARCHITECTURAL.  
ALL RIGHTS RESERVED. THIS DESIGN IS COPYRIGHT AND CAN NOT BE REPRODUCED OR COPIED IN ANY FORM EITHER IN PART OR IN WHOLE WITHOUT THE WRITTEN PERMISSION OF ALUCOBOND ARCHITECTURAL.  
25 WEST PARK DRIVE, DEERLARK VIC 3003



05

WINDOW HEAD  
DETAIL

THIS INFORMATION IS GENERIC IN NATURE & SUPPLIED FOR GUIDANCE PURPOSES ONLY. JOINT WIDTHS WILL VARY TO SUIT PANEL SIZE & SEALANT USED.  
TOP HAT DIMENSIONS ARE NOMINAL. DIMENSIONS, SPACING, SPANS & STIFFENER REQUIREMENTS WILL NEED TO BE CONFIRMED BY A SUITABLY QUALIFIED PROFESSIONAL TO SUIT THE SPECIFIC APPLICATION.



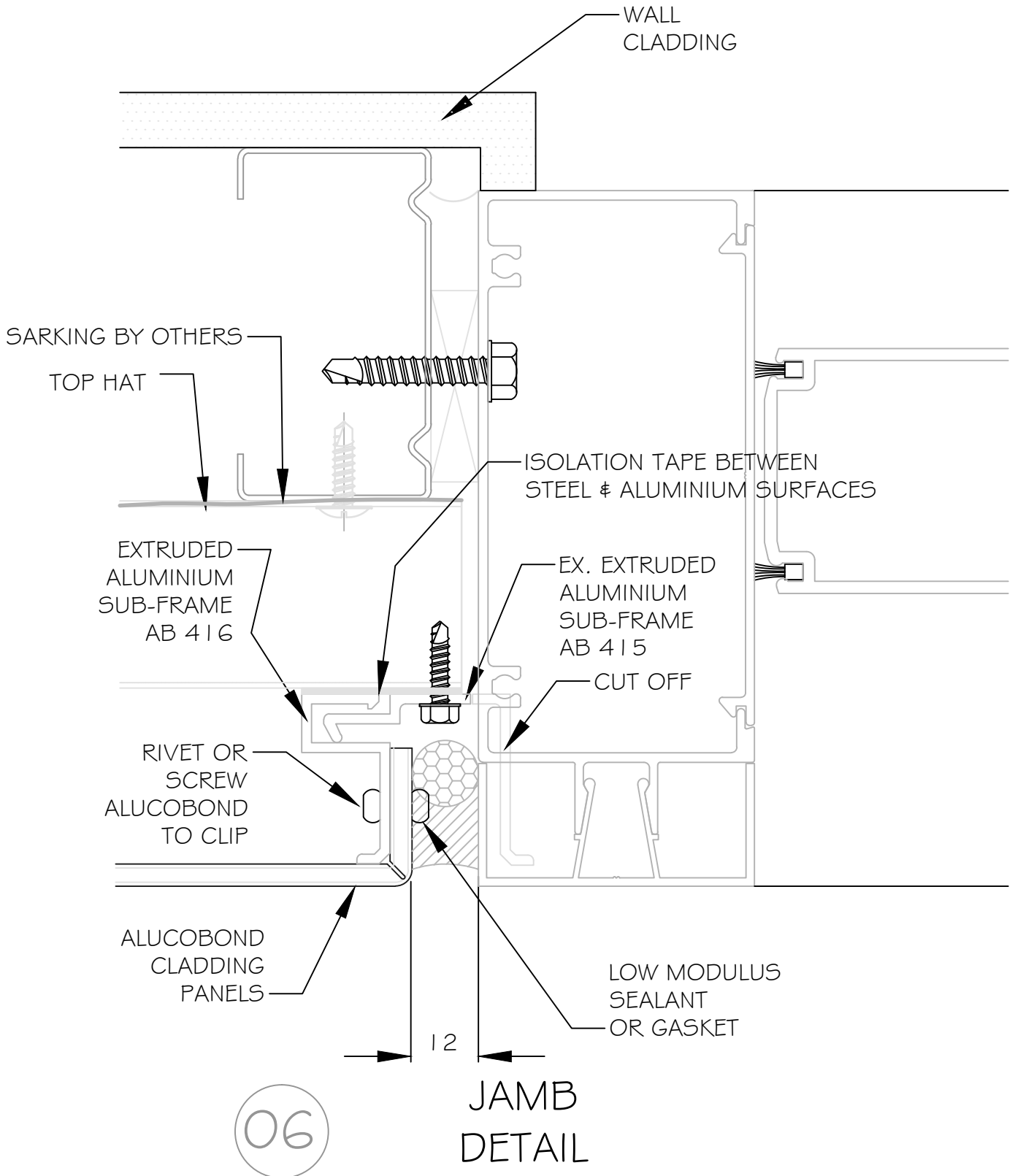
WINDOW HEAD  
DETAIL

PAGE

P07

ALUCOFIX  
SYSTEM

© ALUCOBOND ARCHITECTURAL.  
ALL RIGHTS RESERVED. THIS DESIGN IS COPYRIGHT AND CAN NOT BE REPRODUCED OR COPIED IN ANY FORM EITHER IN PART OR IN WHOLE WITHOUT THE WRITTEN PERMISSION OF ALUCOBOND ARCHITECTURAL.  
25 WEST PARK DRIVE, CERRILLOT, VIC 3030



THIS INFORMATION IS GENERIC IN NATURE & SUPPLIED FOR GUIDANCE PURPOSES ONLY. JOINT WIDTHS WILL VARY TO SUIT PANEL SIZE & SEALANT USED. TOP HAT DIMENSIONS ARE NOMINAL. DIMENSIONS, SPACING, SPANS & STIFFENER REQUIREMENTS WILL NEED TO BE CONFIRMED BY A SUITABLY QUALIFIED PROFESSIONAL TO SUIT THE SPECIFIC APPLICATION.



JAMB  
DETAIL

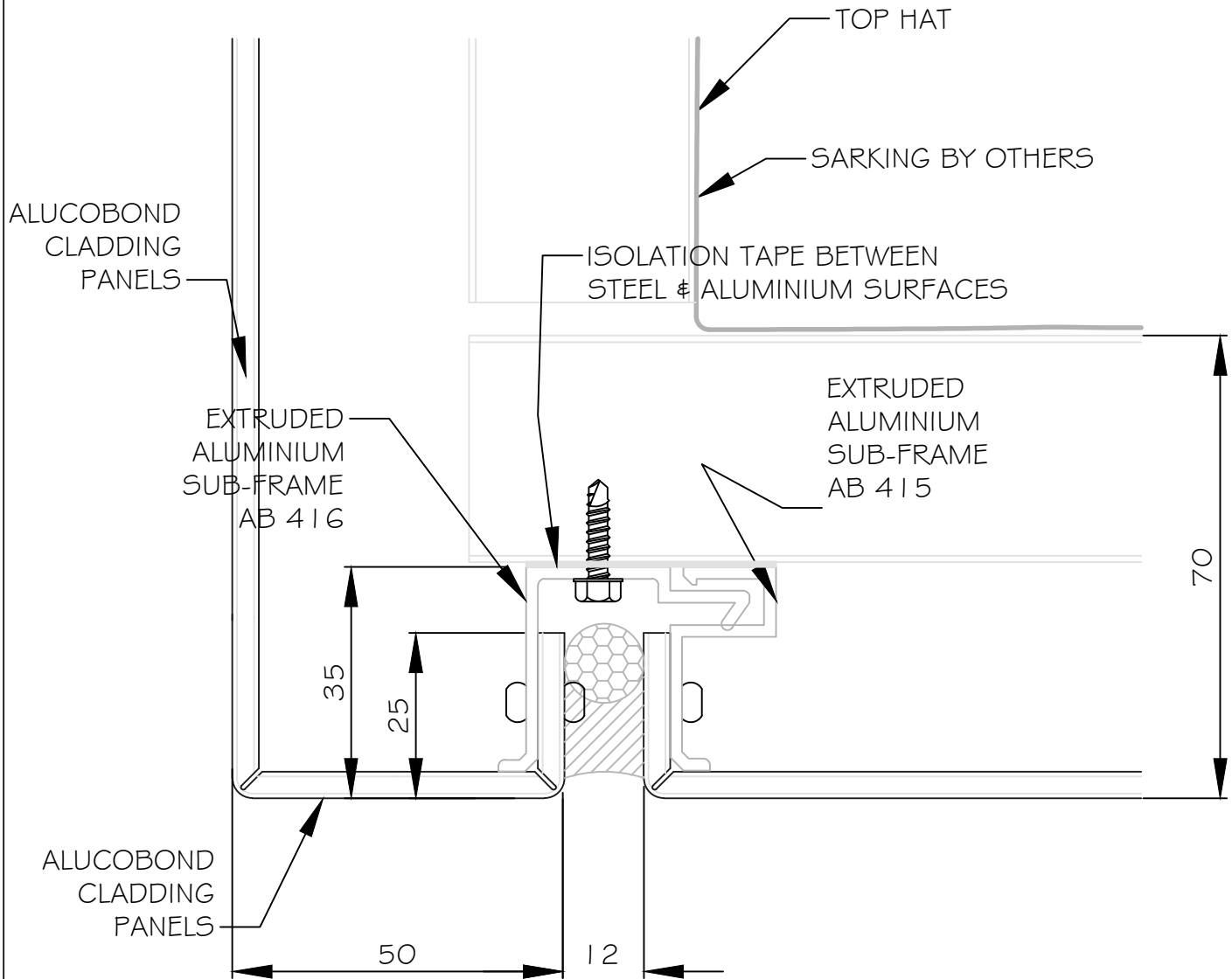
PAGE

P08

ALUCOFIX  
SYSTEM

© ALUCOBOND ARCHITECTURAL.  
ALL RIGHTS RESERVED. THIS DESIGN IS COPYRIGHT AND CAN NOT BE REPRODUCED OR COPIED IN ANY FORM EITHER IN PART OR IN WHOLE WITHOUT THE WRITTEN PERMISSION OF ALUCOBOND ARCHITECTURAL. 25 WEST PARK DRIVE, DERRIMUT VIC 3030.





07

SOFFIT  
DETAIL

THIS INFORMATION IS GENERIC IN NATURE & SUPPLIED FOR GUIDANCE PURPOSES ONLY. JOINT WIDTHS WILL VARY TO SUIT PANEL SIZE & SEALANT USED.  
TOP HAT DIMENSIONS ARE NOMINAL. DIMENSIONS, SPACING, SPANS & STIFFENER REQUIREMENTS WILL NEED TO BE CONFIRMED BY A SUITABLY QUALIFIED PROFESSIONAL TO SUIT THE SPECIFIC APPLICATION.



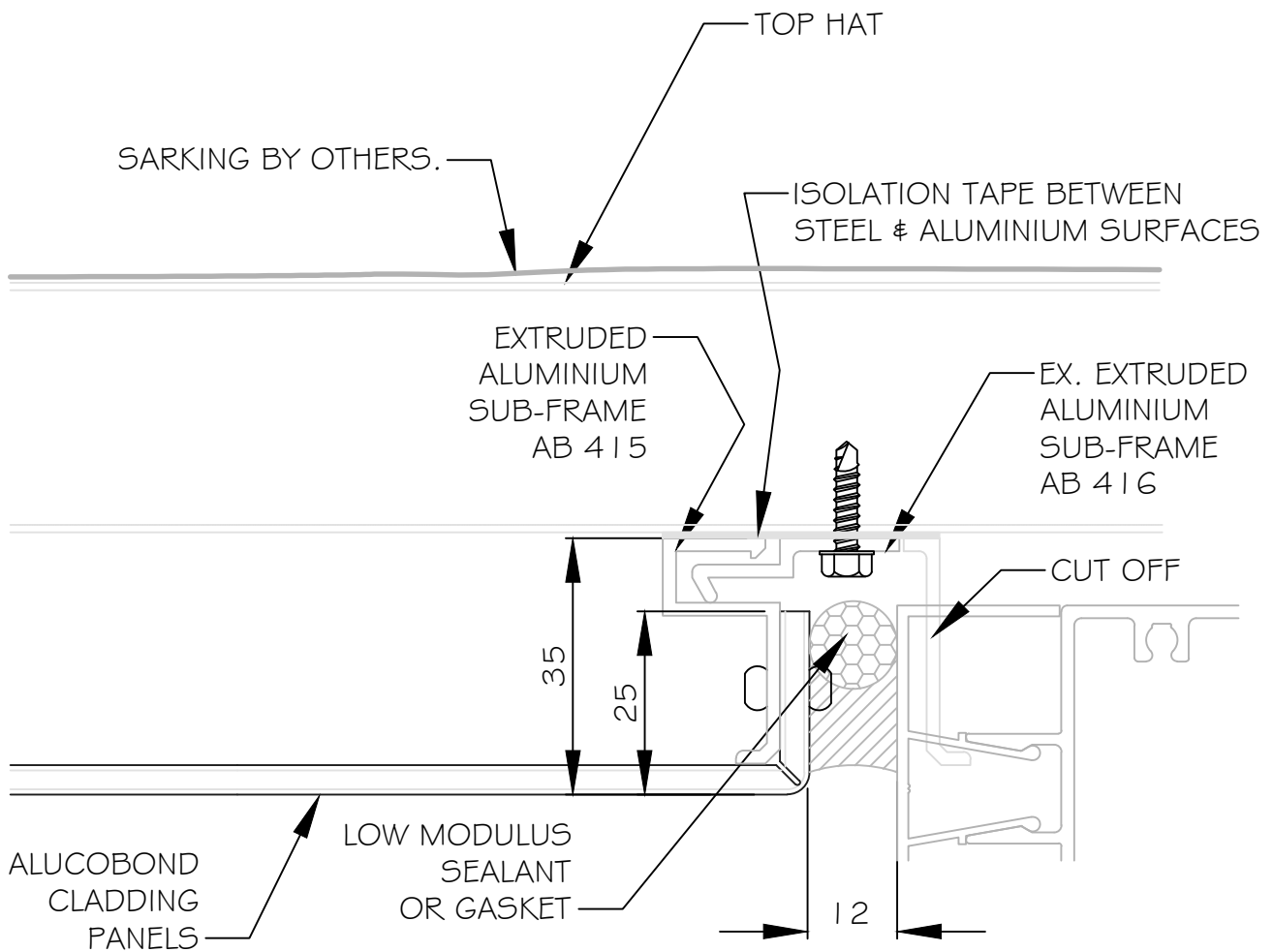
SOFFIT  
DETAIL

PAGE

P09

ALUCOFIX  
SYSTEM

© ALUCOBOND ARCHITECTURAL.  
ALL RIGHTS RESERVED. THIS DESIGN IS COPYRIGHT AND CAN NOT BE REPRODUCED OR COPIED IN ANY FORM EITHER IN PART OR IN WHOLE WITHOUT THE WRITTEN PERMISSION OF ALUCOBOND ARCHITECTURAL.  
25 WEST PARK DRIVE, DEERLARK VIC 3003



08

SOFFIT  
DETAIL

THIS INFORMATION IS GENERIC IN NATURE & SUPPLIED FOR GUIDANCE PURPOSES ONLY. JOINT WIDTHS WILL VARY TO SUIT PANEL SIZE & SEALANT USED.  
TOP HAT DIMENSIONS ARE NOMINAL. DIMENSIONS, SPACING, SPANS & STIFFENER REQUIREMENTS WILL NEED TO BE CONFIRMED BY A SUITABLY QUALIFIED PROFESSIONAL TO SUIT THE SPECIFIC APPLICATION.



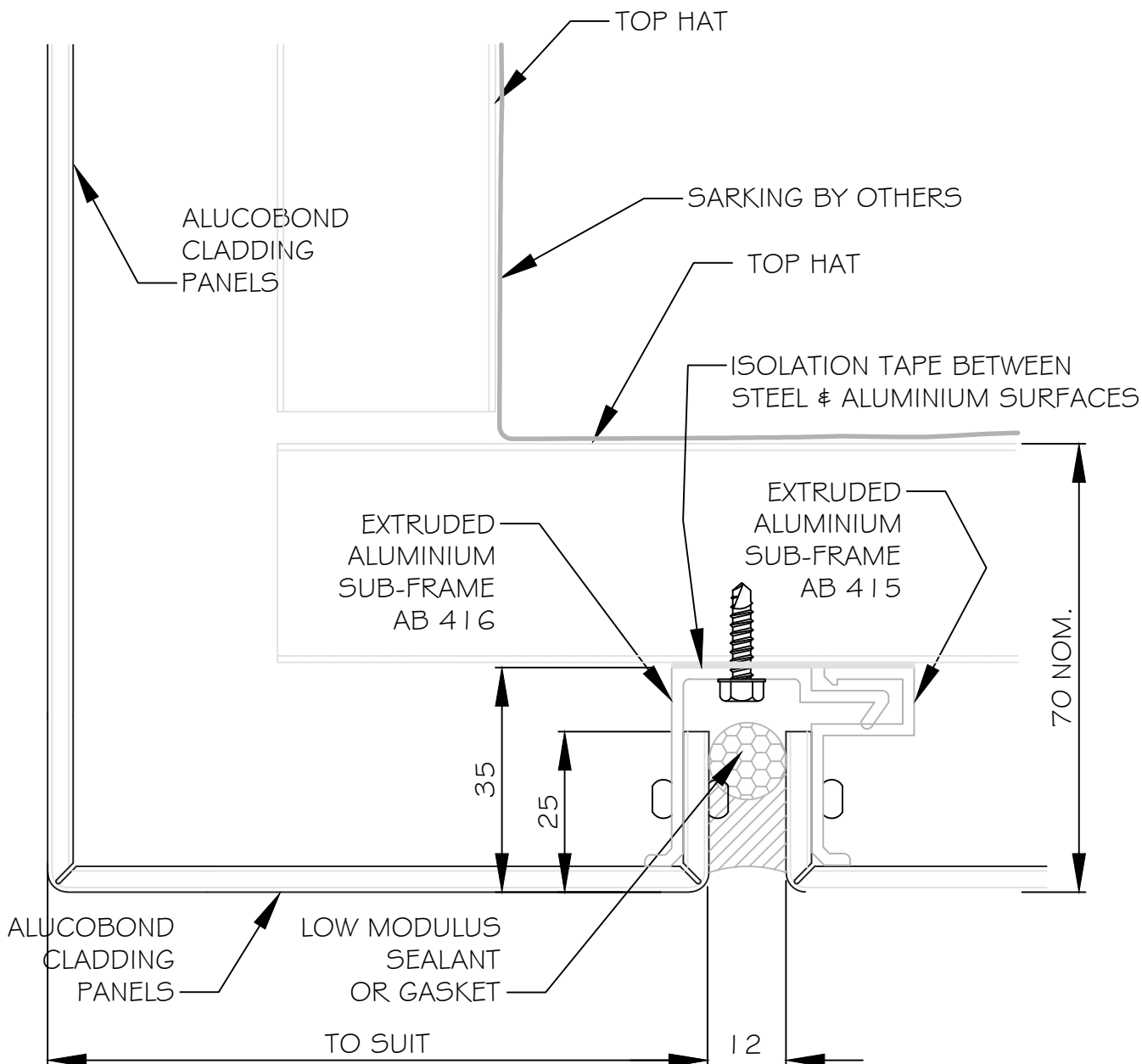
CORNER  
DETAIL

PAGE

P10

ALUCOFIX  
SYSTEM

© ALUCOBOND ARCHITECTURAL.  
ALL RIGHTS RESERVED. THIS DESIGN IS COPYRIGHT AND CAN NOT BE REPRODUCED OR COPIED IN ANY FORM EITHER IN PART OR IN WHOLE WITHOUT THE WRITTEN PERMISSION OF ALUCOBOND ARCHITECTURAL.  
25 WEST PARK DRIVE, DEERLARK VIC 3003.



09

OUTSIDE CORNER  
DETAIL

THIS INFORMATION IS GENERIC IN NATURE & SUPPLIED FOR GUIDANCE PURPOSES ONLY. JOINT WIDTHS WILL VARY TO SUIT PANEL SIZE & SEALANT USED.  
TOP HAT DIMENSIONS ARE NOMINAL. DIMENSIONS, SPACING, SPANS & STIFFENER REQUIREMENTS WILL NEED TO BE CONFIRMED BY A SUITABLY QUALIFIED PROFESSIONAL TO SUIT THE SPECIFIC APPLICATION.



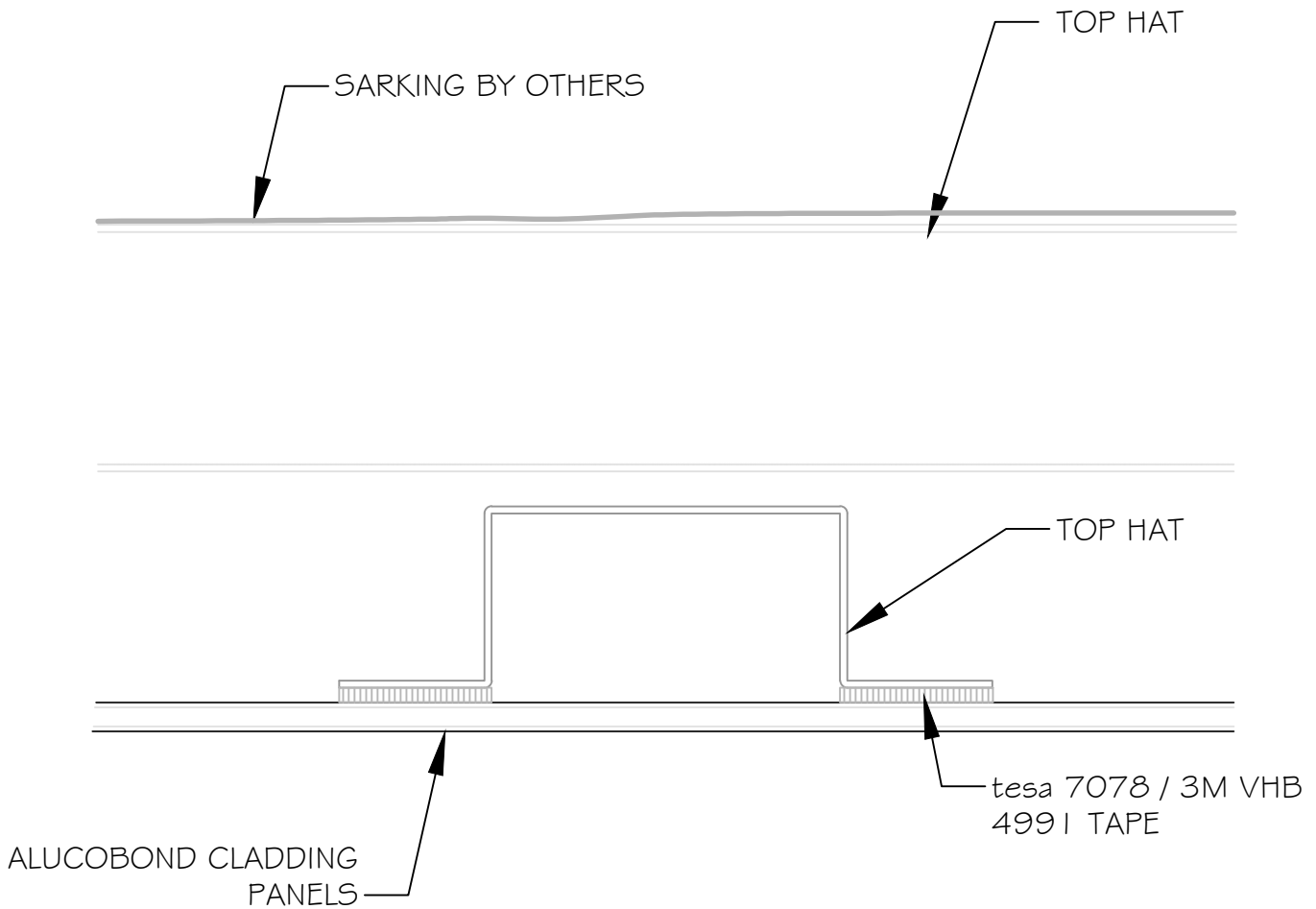
CORNER  
DETAIL

PAGE

P 11

ALUCOFIX  
SYSTEM

© ALUCOBOND ARCHITECTURAL.  
ALL RIGHTS RESERVED. THIS DESIGN IS COPYRIGHT AND CAN NOT BE REPRODUCED OR COPIED IN ANY FORM EITHER IN PART OR IN WHOLE WITHOUT THE WRITTEN PERMISSION OF ALUCOBOND ARCHITECTURAL.  
25 WEST PARK DRIVE, DEERHUNT VIC 3003.



NOTE: TO ENSURE APPLIED LOADS ARE TRANSFERRED BACK TO THE SUB STRUCTURE, ALL STIFFENERS SHOULD BE FIXED BACK TO THE CASSETTE EDGE. REQUIREMENTS INCLUDING; GAUGE, MATERIAL TEMPER, CENTRES / SPANS TO BE DETERMINED BY QUALIFIED PROFESSIONAL SPECIFIC TO THE APPLICATION.

10

## STIFFENER DETAIL

THIS INFORMATION IS GENERIC IN NATURE & SUPPLIED FOR GUIDANCE PURPOSES ONLY. JOINT WIDTHS WILL VARY TO SUIT PANEL SIZE & SEALANT USED.  
TOP HAT DIMENSIONS ARE NOMINAL. DIMENSIONS, SPACING, SPANS & STIFFENER REQUIREMENTS WILL NEED TO CONFIRMED BY A SUITABLY QUALIFIED PROFESSIONAL TO SUIT THE SPECIFIC APPLICATION.



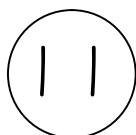
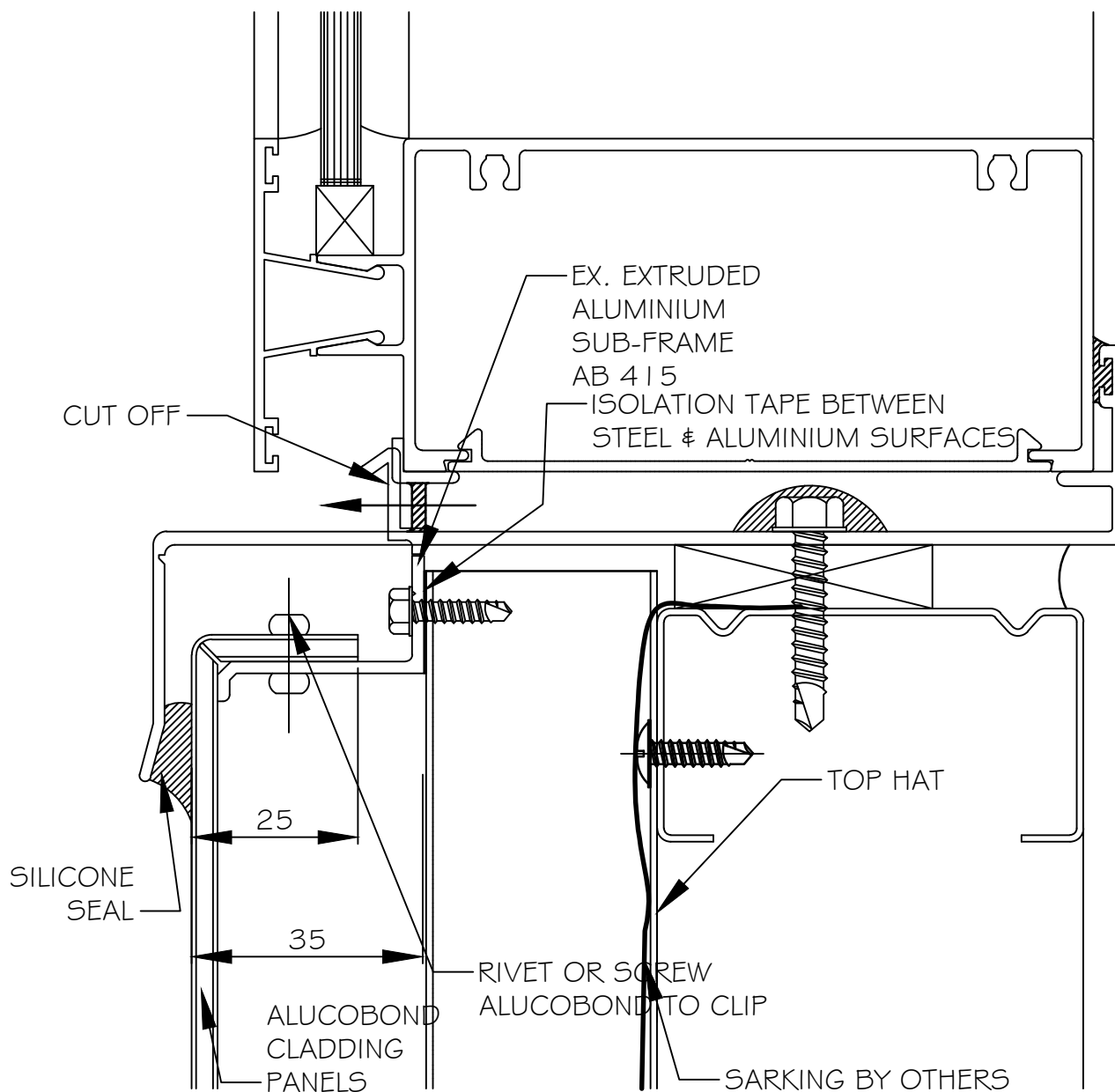
STIFFER  
DETAIL

PAGE

P12

ALUCOFIX  
SYSTEM

© ALUCOBOND ARCHITECTURAL.  
ALL RIGHTS RESERVED. THIS DESIGN IS COPYRIGHT AND CAN NOT BE REPRODUCED OR COPIED IN ANY FORM EITHER IN PART OR IN WHOLE WITHOUT THE WRITTEN PERMISSION OF ALUCOBOND ARCHITECTURAL.  
25 WEST PARK DRIVE, DEERUNDT VIC 3003



## WINDOW SILL DETAIL

THIS INFORMATION IS GENERIC IN NATURE & SUPPLIED FOR GUIDANCE PURPOSES ONLY. JOINT WIDTHS WILL VARY TO SUIT PANEL SIZE & SEALANT USED.  
TOP HAT DIMENSIONS ARE NOMINAL. DIMENSIONS, SPACING, SPANS & STIFFENER REQUIREMENTS WILL NEED TO BE CONFIRMED BY A SUITABLY QUALIFIED PROFESSIONAL TO SUIT THE SPECIFIC APPLICATION.



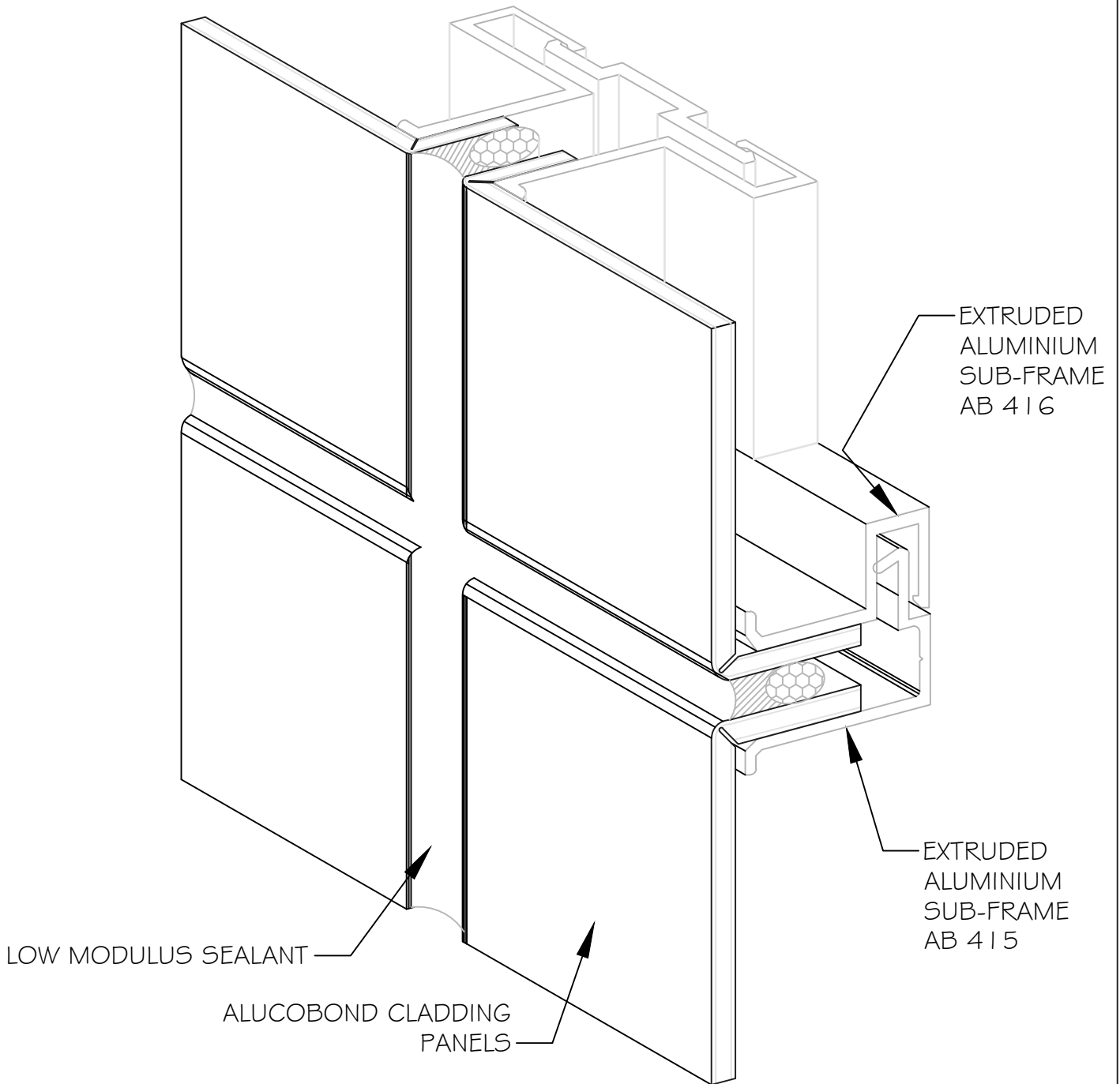
WINDOW SILL  
DETAIL

PAGE

P13

ALUCOFIX  
SYSTEM

© ALUCOBOND ARCHITECTURAL.  
ALL RIGHTS RESERVED. THIS DESIGN IS COPYRIGHT AND CAN NOT BE REPRODUCED OR COPIED IN ANY FORM EITHER IN PART OR IN WHOLE WITHOUT THE WRITTEN PERMISSION OF ALUCOBOND ARCHITECTURAL.  
25 WEST PARK DRIVE, DEERHUNT VIC 3003



## HORIZONTAL JOINT DETAIL

THIS INFORMATION IS GENERIC IN NATURE & SUPPLIED FOR GUIDANCE PURPOSES ONLY. JOINT WIDTHS WILL VARY TO SUIT PANEL SIZE & SEALANT USED.  
TOP HAT DIMENSIONS ARE NOMINAL. DIMENSIONS, SPACING, SPANS & STIFFENER REQUIREMENTS WILL NEED TO BE CONFIRMED BY A SUITABLY QUALIFIED PROFESSIONAL TO SUIT THE SPECIFIC APPLICATION.



HORIZONTAL  
DETAIL

PAGE

P14

ALUCOFIX  
SYSTEM

© ALUCOBOND ARCHITECTURAL.  
ALL RIGHTS RESERVED. THIS DESIGN IS COPYRIGHT AND CAN NOT BE REPRODUCED OR COPIED IN ANY FORM EITHER IN PART OR IN WHOLE WITHOUT THE WRITTEN PERMISSION OF ALUCOBOND ARCHITECTURAL.  
25 WEST PARK DRIVE, DEERUNDT VIC 3003