

TYPICAL ELEVATION

THIS INFORMATION IS GENERIC IN NATURE & SUPPLIED FOR GUIDANCE PURPOSES ONLY. JOINT WIDTHS WILL VARY TO SUIT PANEL SIZE & SEALANT USED.
TOP HAT DIMENSIONS ARE NOMINAL. DIMENSIONS, SPACING, SPANS & STIFFENER REQUIREMENTS WILL NEED TO BE CONFIRMED BY A SUITABLY QUALIFIED PROFESSIONAL TO SUIT THE SPECIFIC APPLICATION.



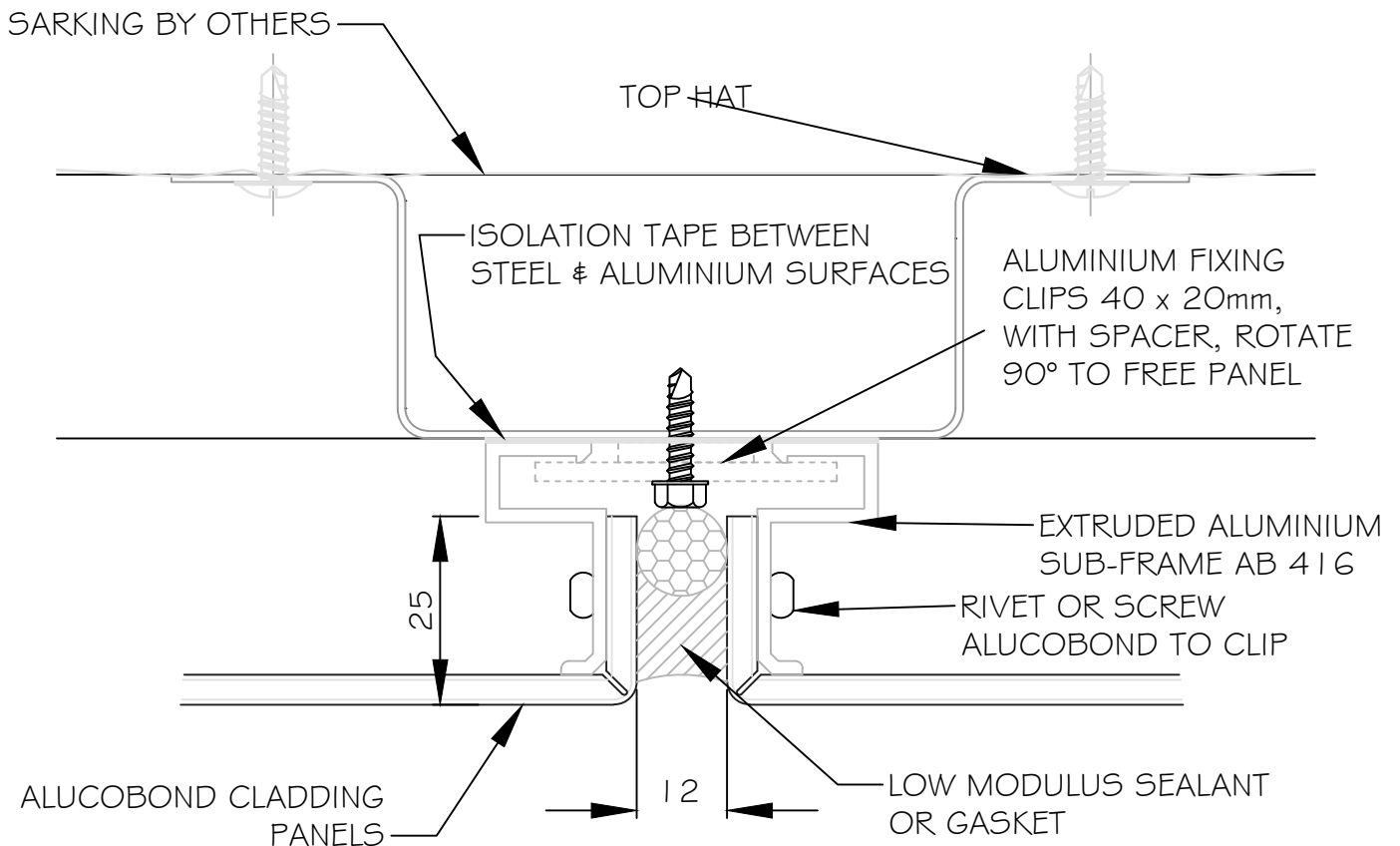
COVER SHEET

PAGE

PO1

ALUCOFIX
SYSTEM

© ALUCOBOND ARCHITECTURAL.
ALL RIGHTS RESERVED. THIS DESIGN IS COPYRIGHT AND CAN NOT BE REPRODUCED OR COPIED IN ANY FORM EITHER IN PART OR IN WHOLE WITHOUT THE WRITTEN PERMISSION OF ALUCOBOND ARCHITECTURAL.
25 WEST PARK DRIVE, DERRINBURT, VIC 3030.



01

VERTICAL JOINT

THIS INFORMATION IS GENERIC IN NATURE & SUPPLIED FOR GUIDANCE PURPOSES ONLY. JOINT WIDTHS WILL VARY TO SUIT PANEL SIZE & SEALANT USED.
TOP HAT DIMENSIONS ARE NOMINAL. DIMENSIONS, SPACING, SPANS & STIFFENER REQUIREMENTS WILL NEED TO BE CONFIRMED BY A SUITABLY QUALIFIED PROFESSIONAL TO SUIT THE SPECIFIC APPLICATION.



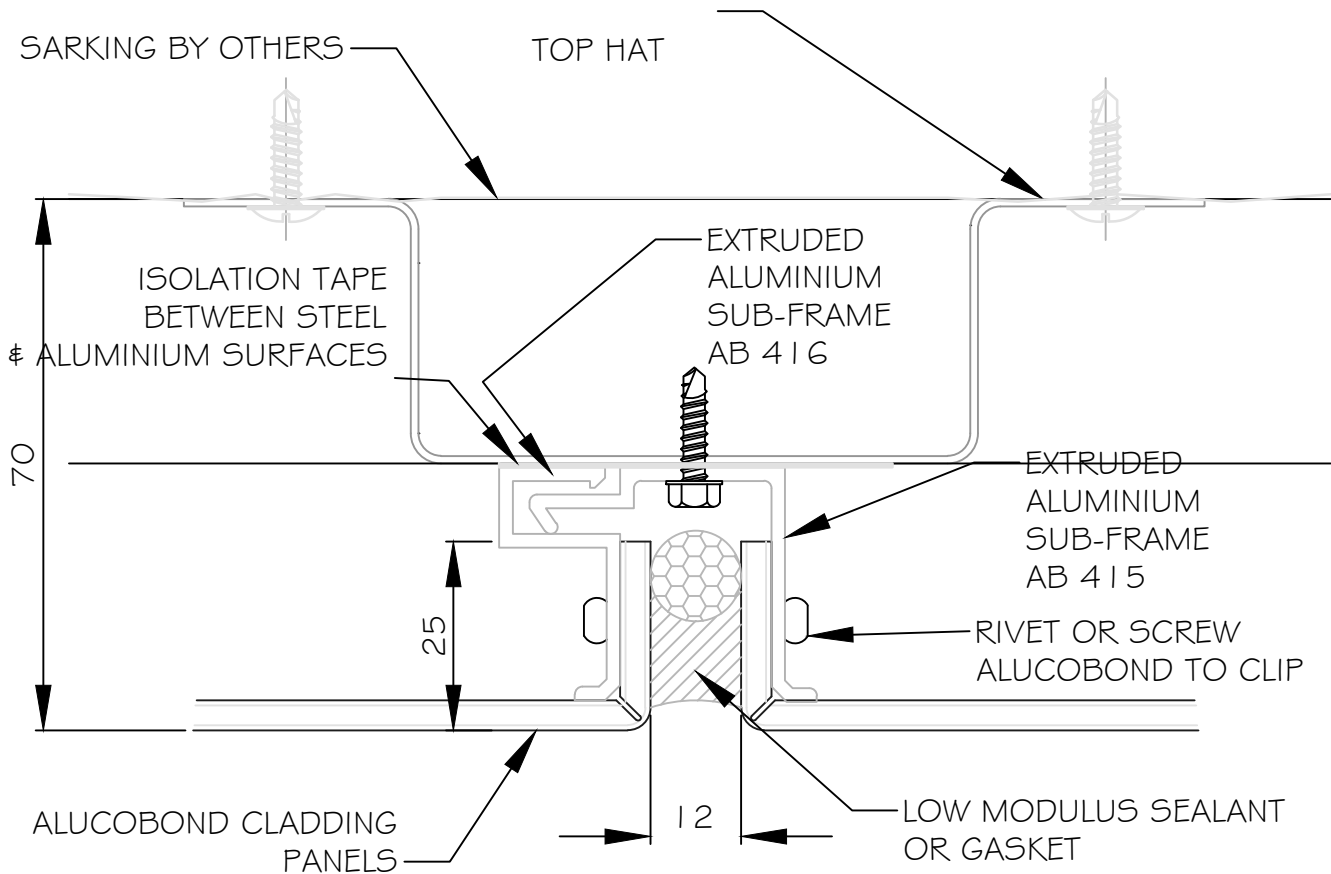
VERTICAL
JOINT

PAGE

P02

ALUCOFIX
SYSTEM

© ALUCOBOND ARCHITECTURAL.
ALL RIGHTS RESERVED. THIS DESIGN IS COPYRIGHT AND CAN NOT BE REPRODUCED OR COPIED IN ANY FORM EITHER IN PART OR IN WHOLE WITHOUT THE WRITTEN PERMISSION OF ALUCOBOND ARCHITECTURAL.
25 WEST PARK DRIVE, DERRIMUT, VIC 3030.



VERTICAL JOINT
(ALTERNATIVE)

THIS INFORMATION IS GENERIC IN NATURE & SUPPLIED FOR GUIDANCE PURPOSES ONLY. JOINT WIDTHS WILL VARY TO SUIT PANEL SIZE & SEALANT USED.
TOP HAT DIMENSIONS ARE NOMINAL. DIMENSIONS, SPACING, SPANS & STIFFENER REQUIREMENTS WILL NEED TO BE CONFIRMED BY A SUITABLY QUALIFIED PROFESSIONAL TO SUIT THE SPECIFIC APPLICATION.



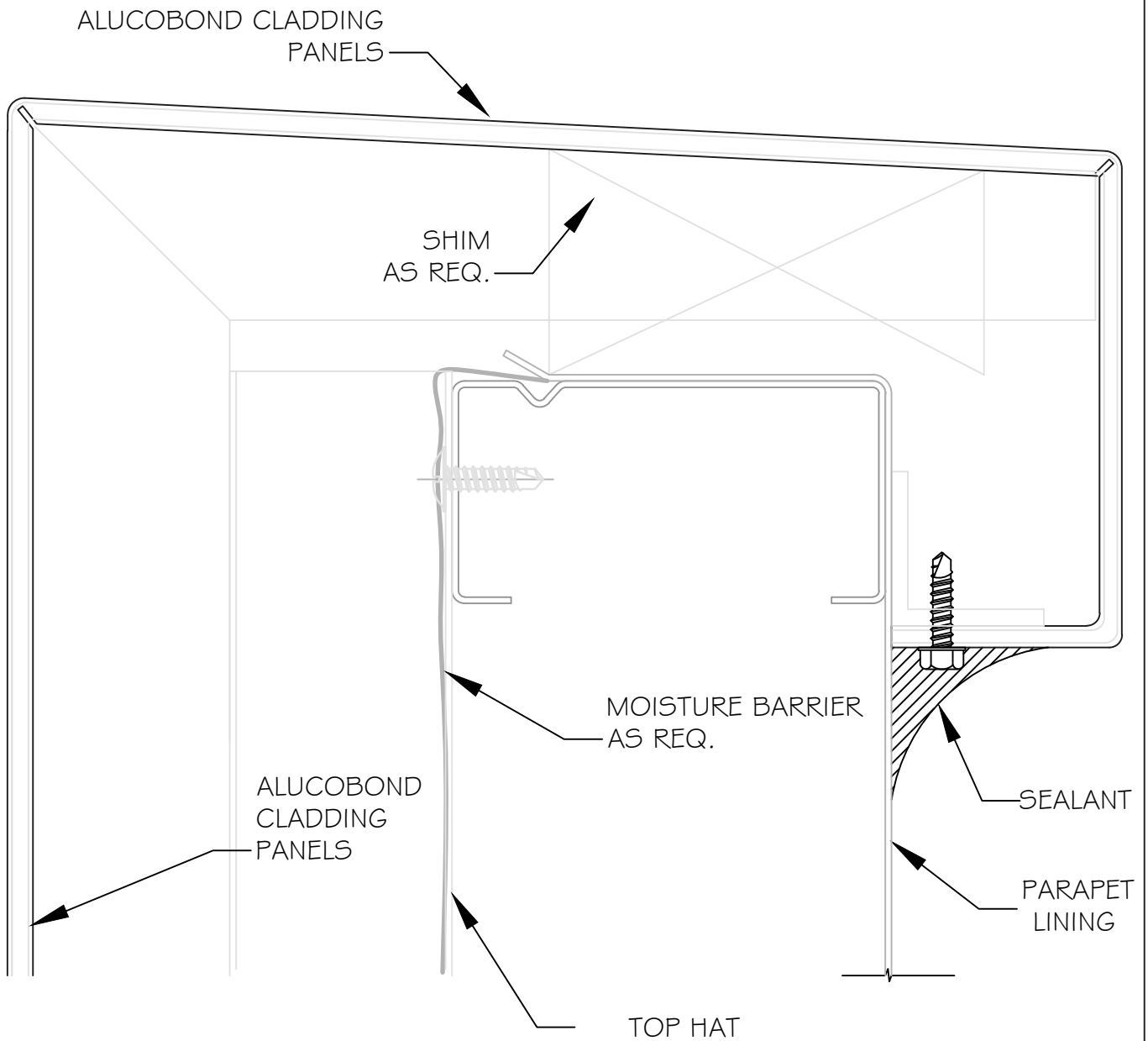
VERTICAL
JOINT

PAGE

P03

ALUCOFIX
SYSTEM

© ALUCOBOND ARCHITECTURAL.
ALL RIGHTS RESERVED. THIS DESIGN IS COPYRIGHT AND CAN NOT BE REPRODUCED OR COPIED IN ANY FORM EITHER IN PART OR IN WHOLE WITHOUT THE WRITTEN PERMISSION OF ALUCOBOND ARCHITECTURAL.
25 WEST PARK DRIVE, DERRINBURT, VIC 3083.



02

PARAPET DETAIL

THIS INFORMATION IS GENERIC IN NATURE & SUPPLIED FOR GUIDANCE PURPOSES ONLY. JOINT WIDTHS WILL VARY TO SUIT PANEL SIZE & SEALANT USED.
TOP HAT DIMENSIONS ARE NOMINAL. DIMENSIONS, SPACING, SPANS & STIFFENER REQUIREMENTS WILL NEED TO BE CONFIRMED BY A SUITABLY QUALIFIED PROFESSIONAL TO SUIT THE SPECIFIC APPLICATION.



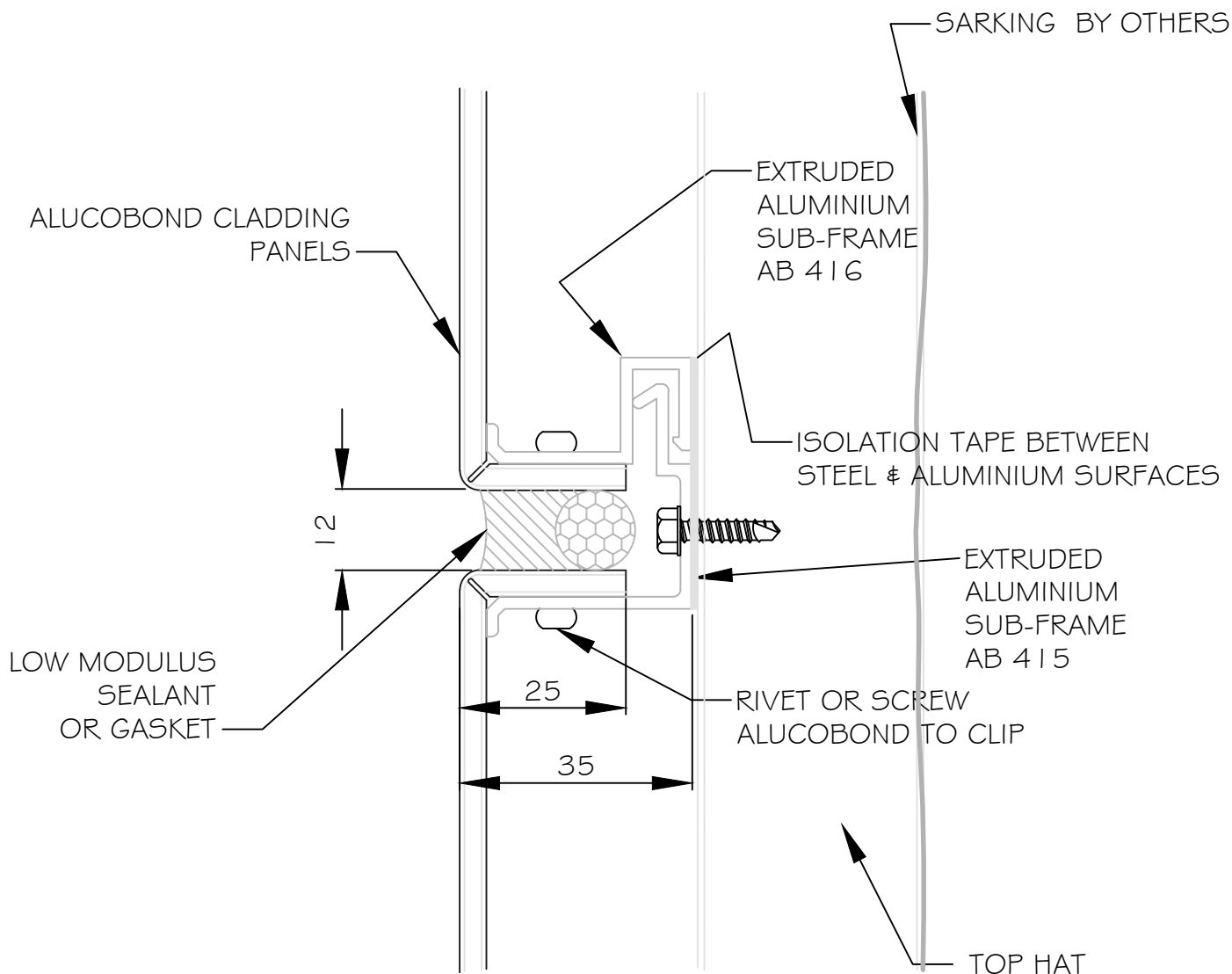
PARAPET
DETAIL

PAGE

P04

ALUCOFIX
SYSTEM

© ALUCOBOND ARCHITECTURAL.
ALL RIGHTS RESERVED. THIS DESIGN IS COPYRIGHT AND CAN NOT BE REPRODUCED OR COPIED IN ANY FORM EITHER IN PART OR IN WHOLE WITHOUT THE WRITTEN PERMISSION OF ALUCOBOND ARCHITECTURAL.
25 WEST PARK DRIVE, DEERUNDT VIC 3003



03

HORIZONTAL JOINT DETAIL

THIS INFORMATION IS GENERIC IN NATURE & SUPPLIED FOR GUIDANCE PURPOSES ONLY. JOINT WIDTHS WILL VARY TO SUIT PANEL SIZE & SEALANT USED.
TOP HAT DIMENSIONS ARE NOMINAL. DIMENSIONS, SPACING, SPANS & STIFFENER REQUIREMENTS WILL NEED TO BE CONFIRMED BY A SUITABLY QUALIFIED PROFESSIONAL TO SUIT THE SPECIFIC APPLICATION.



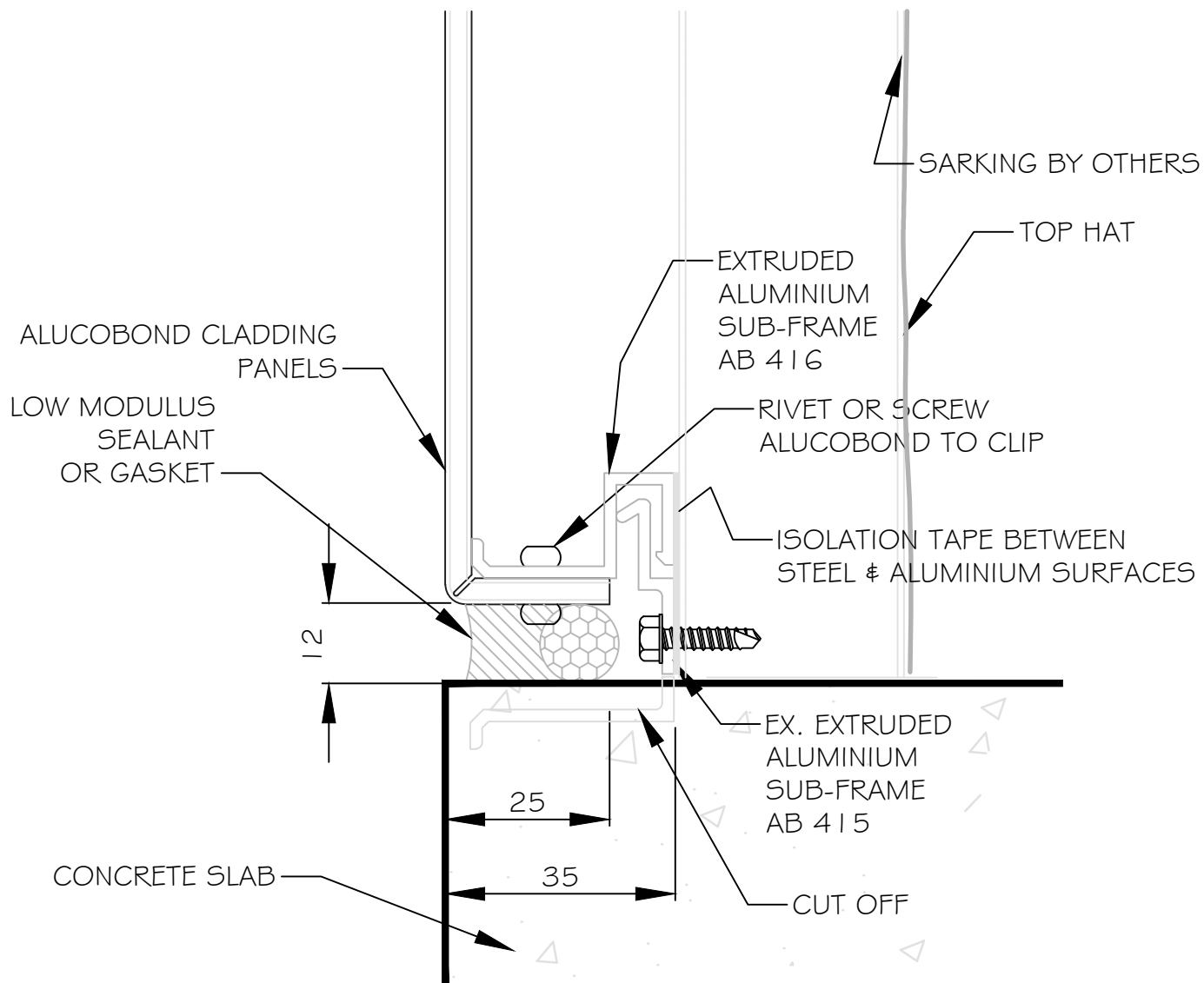
HORIZONTAL
JOINT

PAGE

P05

ALUCOFIX
SYSTEM

© ALUCOBOND ARCHITECTURAL.
ALL RIGHTS RESERVED. THIS DESIGN IS COPYRIGHT AND CAN NOT BE REPRODUCED OR COPIED IN ANY FORM EITHER IN PART OR IN WHOLE WITHOUT THE WRITTEN PERMISSION OF ALUCOBOND ARCHITECTURAL.
25 WEST PARK DRIVE, DEERHUNT VIC 3003.



04

SILL
DETAIL

THIS INFORMATION IS GENERIC IN NATURE & SUPPLIED FOR GUIDANCE PURPOSES ONLY. JOINT WIDTHS WILL VARY TO SUIT PANEL SIZE & SEALANT USED.
TOP HAT DIMENSIONS ARE NOMINAL. DIMENSIONS, SPACING, SPANS & STIFFENER REQUIREMENTS WILL NEED TO BE CONFIRMED BY A SUITABLY QUALIFIED PROFESSIONAL TO SUIT THE SPECIFIC APPLICATION.



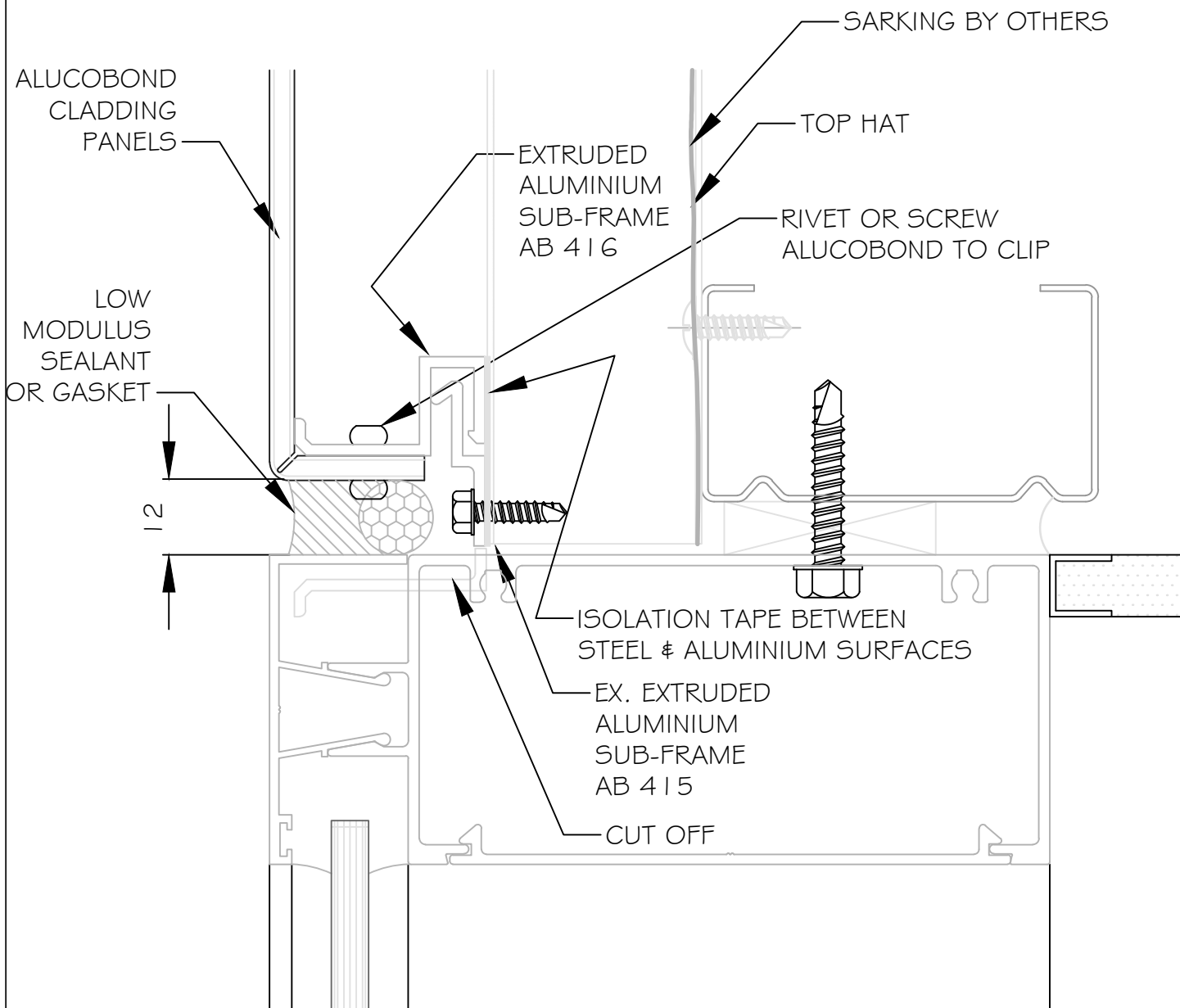
SILL
DETAIL

PAGE

P06

ALUCOFIX
SYSTEM

© ALUCOBOND ARCHITECTURAL.
ALL RIGHTS RESERVED. THIS DESIGN IS COPYRIGHT AND CAN NOT BE REPRODUCED OR COPIED IN ANY FORM EITHER IN PART OR IN WHOLE WITHOUT THE WRITTEN PERMISSION OF ALUCOBOND ARCHITECTURAL.
25 WEST PARK DRIVE, DEERLARK VIC 3003.



05

WINDOW HEAD
DETAIL

THIS INFORMATION IS GENERIC IN NATURE & SUPPLIED FOR GUIDANCE PURPOSES ONLY. JOINT WIDTHS WILL VARY TO SUIT PANEL SIZE & SEALANT USED.
TOP HAT DIMENSIONS ARE NOMINAL. DIMENSIONS, SPACING, SPANS & STIFFENER REQUIREMENTS WILL NEED TO BE CONFIRMED BY A SUITABLY QUALIFIED PROFESSIONAL TO SUIT THE SPECIFIC APPLICATION.



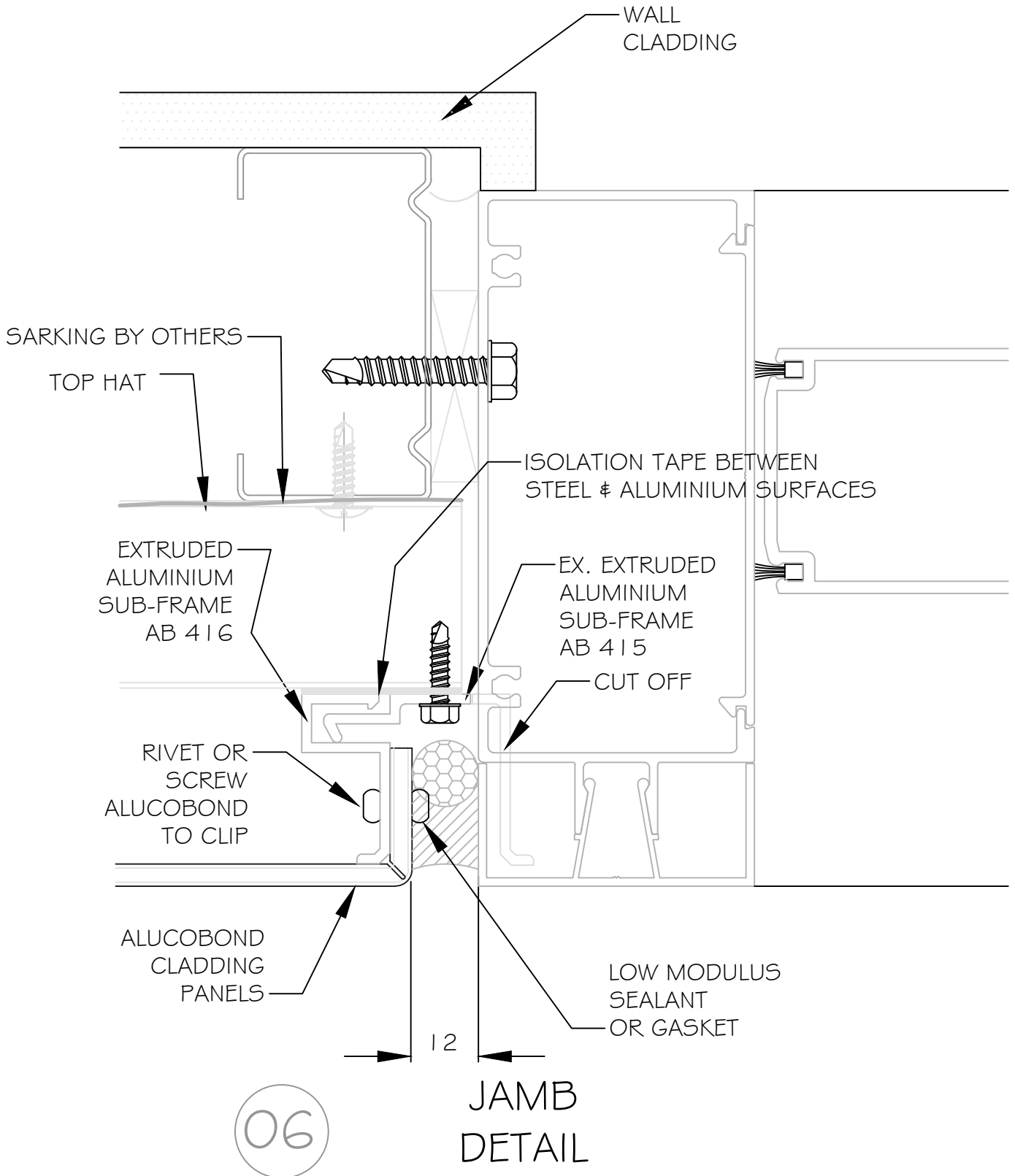
WINDOW HEAD
DETAIL

PAGE

P07

ALUCOFIX
SYSTEM

© ALUCOBOND ARCHITECTURAL.
ALL RIGHTS RESERVED. THIS DESIGN IS COPYRIGHT AND CAN NOT BE REPRODUCED OR COPIED IN ANY FORM EITHER IN PART OR IN WHOLE WITHOUT THE WRITTEN PERMISSION OF ALUCOBOND ARCHITECTURAL.
25 WEST PARK DRIVE, CERRILLOT, VIC 3030



THIS INFORMATION IS GENERIC IN NATURE & SUPPLIED FOR GUIDANCE PURPOSES ONLY. JOINT WIDTHS WILL VARY TO SUIT PANEL SIZE & SEALANT USED. TOP HAT DIMENSIONS ARE NOMINAL. DIMENSIONS, SPACING, SPANS & STIFFENER REQUIREMENTS WILL NEED TO BE CONFIRMED BY A SUITABLY QUALIFIED PROFESSIONAL TO SUIT THE SPECIFIC APPLICATION.



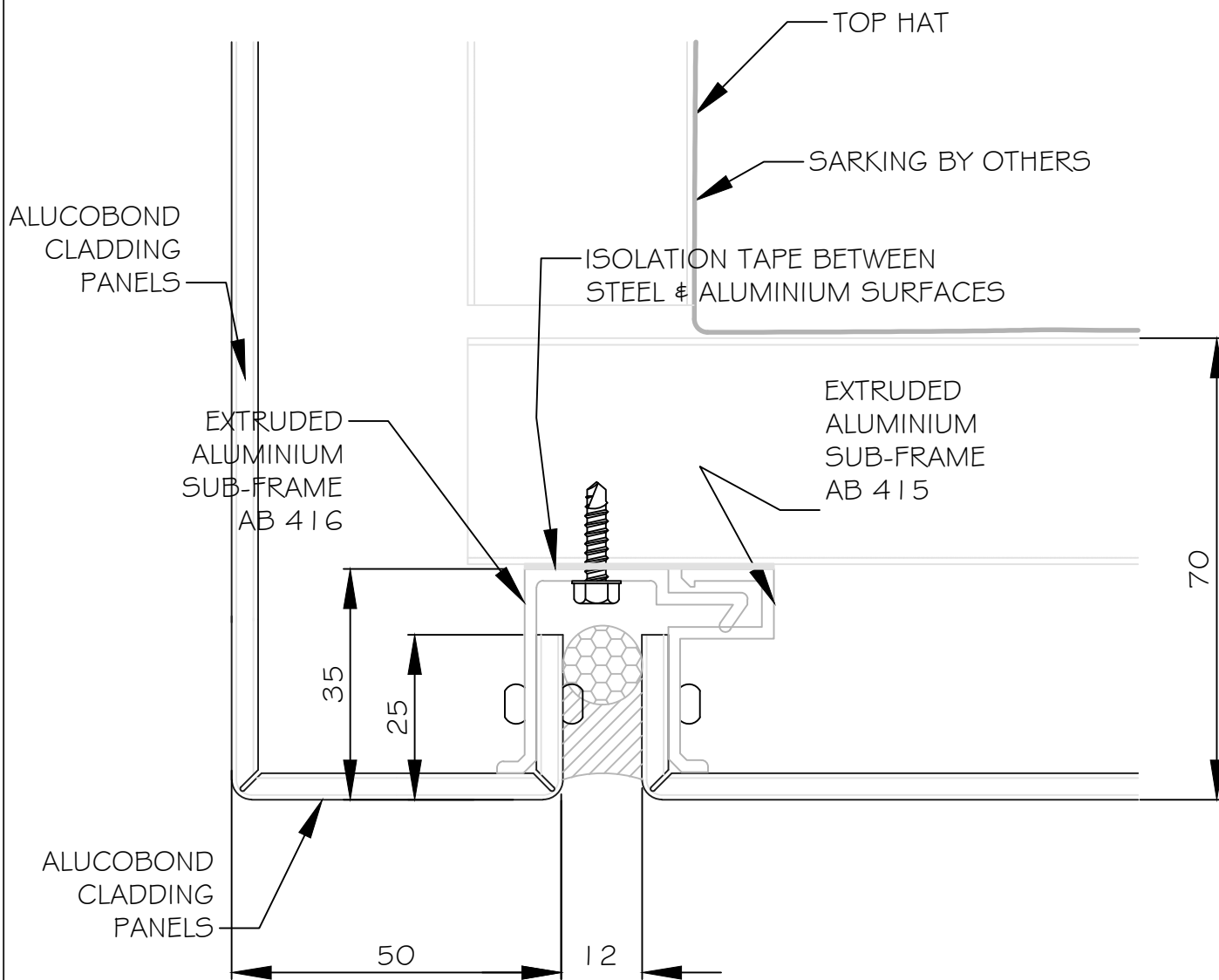
JAMB
DETAIL

PAGE

P08

ALUCOFIX
SYSTEM

© ALUCOBOND ARCHITECTURAL. ALL RIGHTS RESERVED. THIS DESIGN IS COPYRIGHT AND CAN NOT BE REPRODUCED OR COPIED IN ANY FORM EITHER IN PART OR IN WHOLE WITHOUT THE WRITTEN PERMISSION OF ALUCOBOND ARCHITECTURAL. 25 WEST PARK DRIVE, DEERUNUT VIC 3003.



07

SOFFIT
DETAIL

THIS INFORMATION IS GENERIC IN NATURE & SUPPLIED FOR GUIDANCE PURPOSES ONLY. JOINT WIDTHS WILL VARY TO SUIT PANEL SIZE & SEALANT USED.
TOP HAT DIMENSIONS ARE NOMINAL. DIMENSIONS, SPACING, SPANS & STIFFENER REQUIREMENTS WILL NEED TO BE CONFIRMED BY A SUITABLY QUALIFIED PROFESSIONAL TO SUIT THE SPECIFIC APPLICATION.



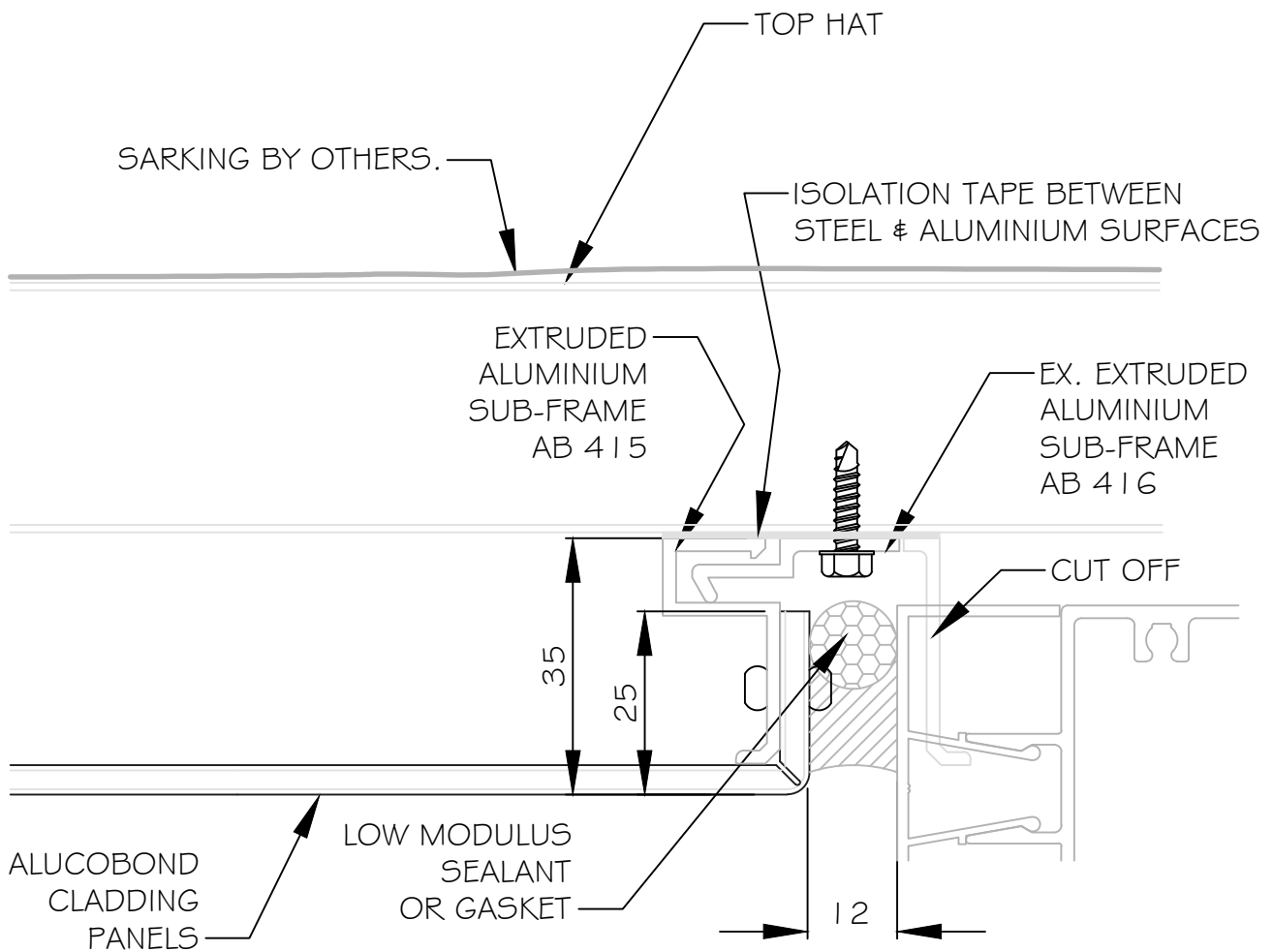
SOFFIT
DETAIL

PAGE

P09

ALUCOFIX
SYSTEM

© ALUCOBOND ARCHITECTURAL.
ALL RIGHTS RESERVED. THIS DESIGN IS COPYRIGHT AND CAN NOT BE REPRODUCED OR COPIED IN ANY FORM EITHER IN PART OR IN WHOLE WITHOUT THE WRITTEN PERMISSION OF ALUCOBOND ARCHITECTURAL.
25 WEST PARK DRIVE, DEERLARK VIC 3003.



08

SOFFIT
DETAIL

THIS INFORMATION IS GENERIC IN NATURE & SUPPLIED FOR GUIDANCE PURPOSES ONLY. JOINT WIDTHS WILL VARY TO SUIT PANEL SIZE & SEALANT USED.
TOP HAT DIMENSIONS ARE NOMINAL. DIMENSIONS, SPACING, SPANS & STIFFENER REQUIREMENTS WILL NEED TO BE CONFIRMED BY A SUITABLY QUALIFIED PROFESSIONAL TO SUIT THE SPECIFIC APPLICATION.



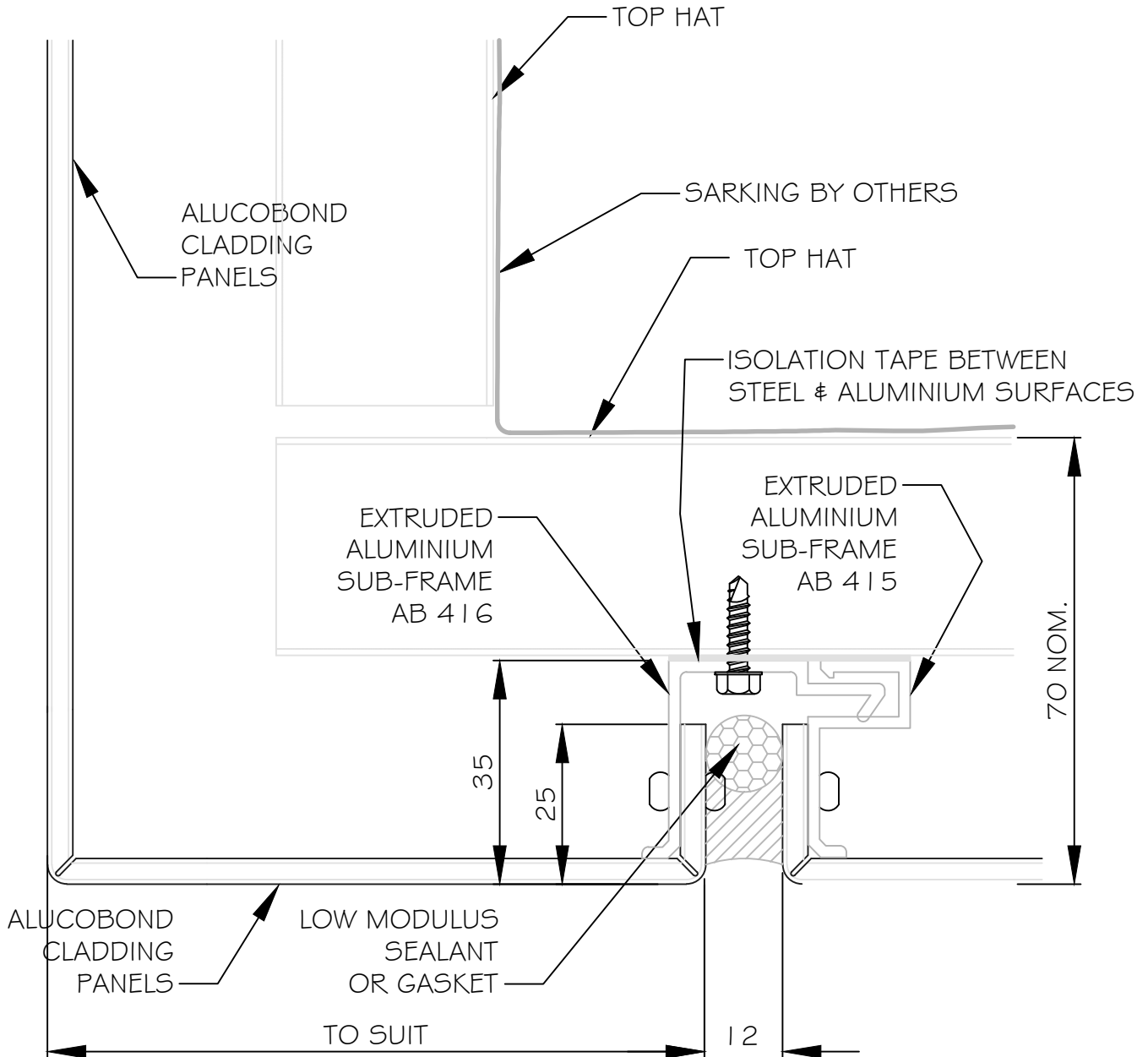
CORNER
DETAIL

PAGE

P10

ALUCOFIX
SYSTEM

© ALUCOBOND ARCHITECTURAL. ALL RIGHTS RESERVED. THIS DESIGN IS COPYRIGHT AND CAN NOT BE REPRODUCED OR COPIED IN ANY FORM EITHER IN PART OR IN WHOLE WITHOUT THE WRITTEN PERMISSION OF ALUCOBOND ARCHITECTURAL. 25 WEST PARK DRIVE, DEERHILL VIC 3003.



09

OUTSIDE CORNER
DETAIL

THIS INFORMATION IS GENERIC IN NATURE & SUPPLIED FOR GUIDANCE PURPOSES ONLY. JOINT WIDTHS WILL VARY TO SUIT PANEL SIZE & SEALANT USED.
TOP HAT DIMENSIONS ARE NOMINAL. DIMENSIONS, SPACING, SPANS & STIFFENER REQUIREMENTS WILL NEED TO BE CONFIRMED BY A SUITABLY QUALIFIED PROFESSIONAL TO SUIT THE SPECIFIC APPLICATION.



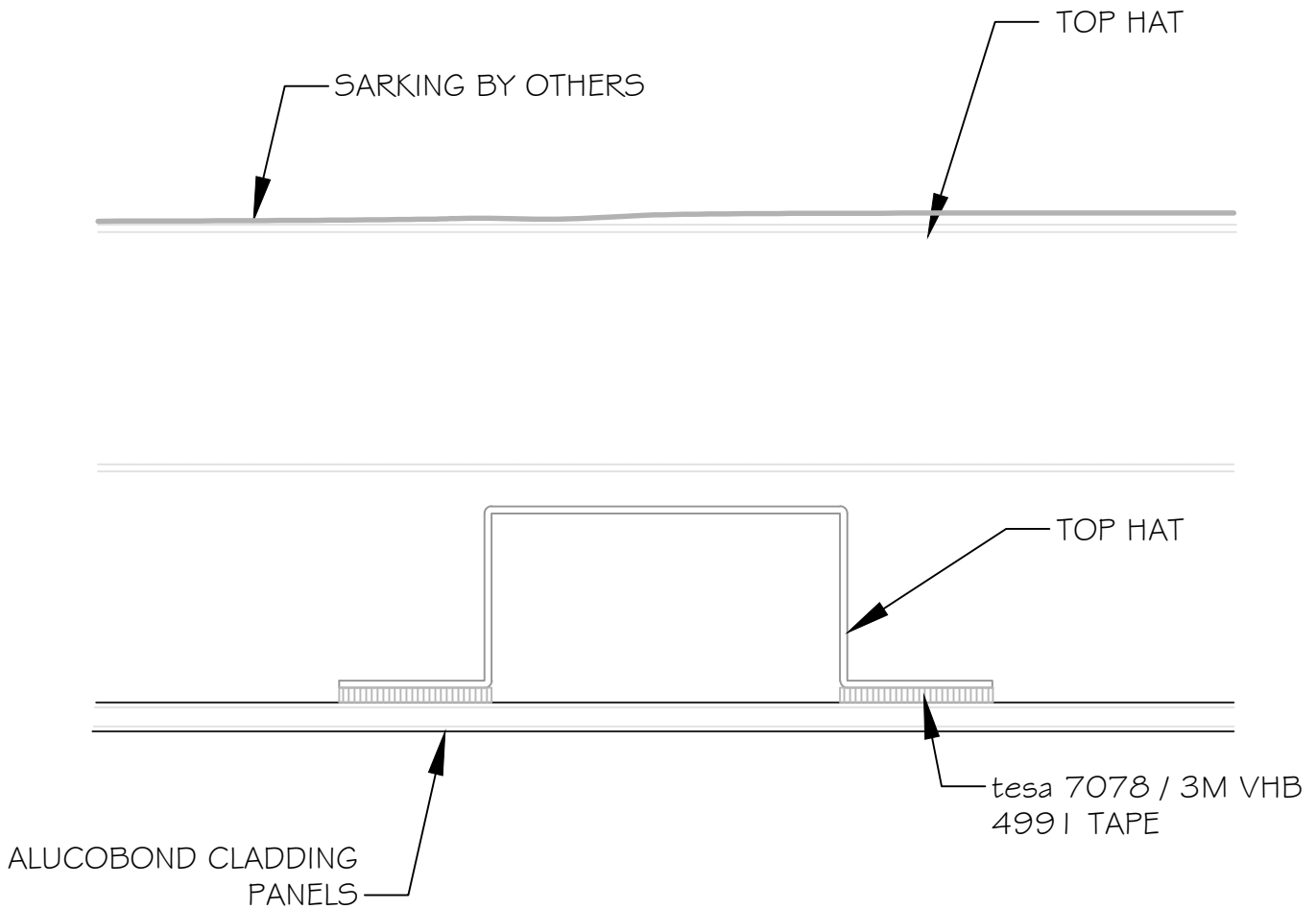
CORNER
DETAIL

PAGE

P 11

ALUCOFIX
SYSTEM

© ALUCOBOND ARCHITECTURAL.
ALL RIGHTS RESERVED. THIS DESIGN IS COPYRIGHT AND CAN NOT BE REPRODUCED OR COPIED IN ANY FORM EITHER IN PART OR IN WHOLE WITHOUT THE WRITTEN PERMISSION OF ALUCOBOND ARCHITECTURAL.
25 WEST PARK DRIVE, DEERHUNT VIC 3003.



NOTE: TO ENSURE APPLIED LOADS ARE TRANSFERRED BACK TO THE SUB STRUCTURE, ALL STIFFENERS SHOULD BE FIXED BACK TO THE CASSETTE EDGE. REQUIREMENTS INCLUDING; GAUGE, MATERIAL TEMPER, CENTRES / SPANS TO BE DETERMINED BY QUALIFIED PROFESSIONAL SPECIFIC TO THE APPLICATION.

10

STIFFENER DETAIL

THIS INFORMATION IS GENERIC IN NATURE & SUPPLIED FOR GUIDANCE PURPOSES ONLY. JOINT WIDTHS WILL VARY TO SUIT PANEL SIZE & SEALANT USED.
TOP HAT DIMENSIONS ARE NOMINAL. DIMENSIONS, SPACING, SPANS & STIFFENER REQUIREMENTS WILL NEED TO CONFIRMED BY A SUITABLY QUALIFIED PROFESSIONAL TO SUIT THE SPECIFIC APPLICATION.



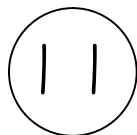
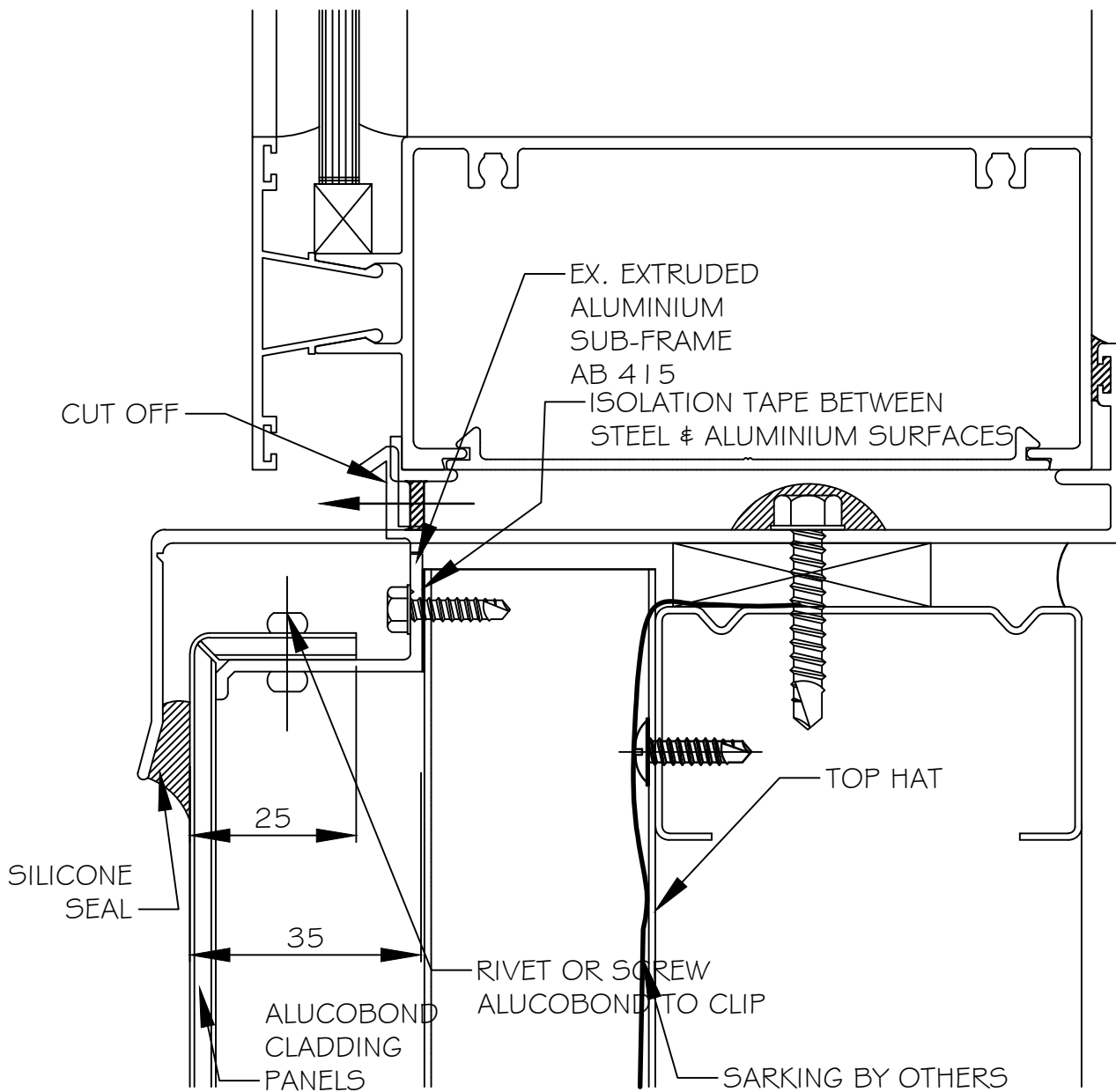
STIFFER
DETAIL

PAGE

P12

ALUCOFIX
SYSTEM

© ALUCOBOND ARCHITECTURAL.
ALL RIGHTS RESERVED. THIS DESIGN IS COPYRIGHT AND CAN NOT BE REPRODUCED OR COPIED IN ANY FORM EITHER IN PART OR IN WHOLE WITHOUT THE WRITTEN PERMISSION OF ALUCOBOND ARCHITECTURAL.
25 WEST PARK DRIVE, DEERLIFT VIC 3003.



WINDOW SILL DETAIL

THIS INFORMATION IS GENERIC IN NATURE & SUPPLIED FOR GUIDANCE PURPOSES ONLY. JOINT WIDTHS WILL VARY TO SUIT PANEL SIZE & SEALANT USED.
TOP HAT DIMENSIONS ARE NOMINAL. DIMENSIONS, SPACING, SPANS & STIFFENER REQUIREMENTS WILL NEED TO BE CONFIRMED BY A SUITABLY QUALIFIED PROFESSIONAL TO SUIT THE SPECIFIC APPLICATION.

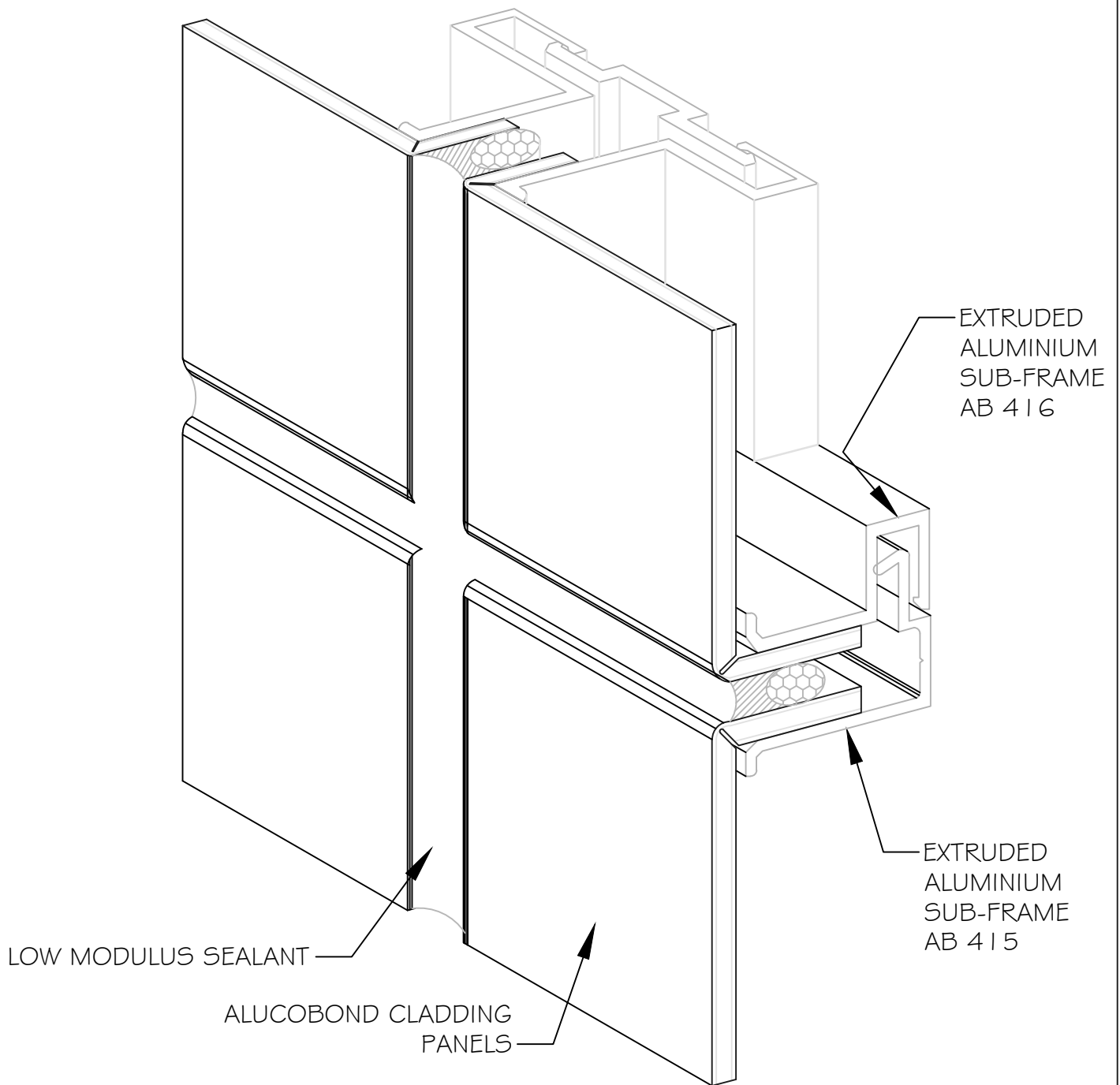


WINDOW SILL
DETAIL

PAGE

P13

ALUCOFIX
SYSTEM



HORIZONTAL JOINT DETAIL

THIS INFORMATION IS GENERIC IN NATURE & SUPPLIED FOR GUIDANCE PURPOSES ONLY. JOINT WIDTHS WILL VARY TO SUIT PANEL SIZE & SEALANT USED.
TOP HAT DIMENSIONS ARE NOMINAL. DIMENSIONS, SPACING, SPANS & STIFFENER REQUIREMENTS WILL NEED TO BE CONFIRMED BY A SUITABLY QUALIFIED PROFESSIONAL TO SUIT THE SPECIFIC APPLICATION.



HORIZONTAL
DETAIL

PAGE

P14

ALUCOFIX
SYSTEM

© ALUCOBOND ARCHITECTURAL.
ALL RIGHTS RESERVED. THIS DESIGN IS COPYRIGHT AND CAN NOT BE REPRODUCED OR COPIED IN ANY FORM EITHER IN PART OR IN WHOLE WITHOUT THE WRITTEN PERMISSION OF ALUCOBOND ARCHITECTURAL.
25 WEST PARK DRIVE, DEERUNDT, VIC 3003