

TYPICAL ELEVATION

THIS INFORMATION IS GENERIC IN NATURE & SUPPLIED FOR GUIDANCE PURPOSES ONLY. JOINT WIDTHS WILL VARY TO SUIT PANEL SIZE & SEALANT USED.
TOP HAT DIMENSIONS ARE NOMINAL. DIMENSIONS, SPACING, SPANS & STIFFENER REQUIREMENTS WILL NEED TO BE CONFIRMED BY A SUITABLY QUALIFIED PROFESSIONAL TO SUIT THE SPECIFIC APPLICATION.



COVER SHEET

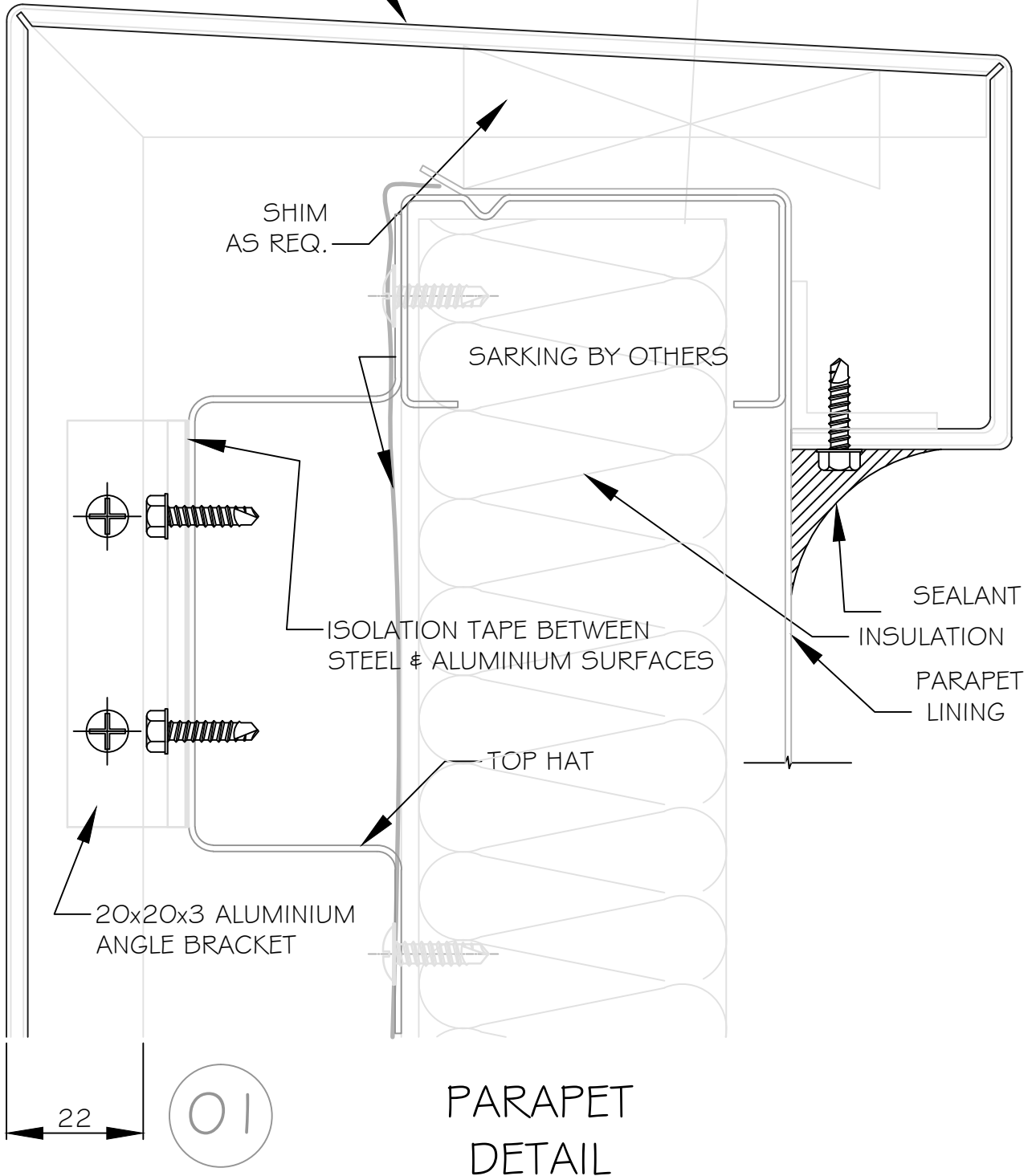
PAGE

P01

FIXED
CASSETTE
SYSTEM

© ALLUCOBOND ARCHITECTURAL.
ALL RIGHTS RESERVED. THIS DESIGN IS COPYRIGHT AND CAN NOT BE REPRODUCED OR COPIED IN ANY FORM EITHER IN PART OR IN WHOLE WITHOUT THE WRITTEN PERMISSION OF ALLUCOBOND ARCHITECTURAL
25 WEST PARK DRIVE, DEERLARK VIC 3003

ALUCOBOND CLADDING
PANELS



THIS INFORMATION IS GENERIC IN NATURE & SUPPLIED FOR GUIDANCE PURPOSES ONLY. JOINT WIDTHS WILL VARY TO SUIT PANEL SIZE & SEALANT USED.
TOP HAT DIMENSIONS ARE NOMINAL. DIMENSIONS, SPACING, SPANS & STIFFENER REQUIREMENTS WILL NEED TO CONFIRMED BY A SUITABLY QUALIFIED PROFESSIONAL TO SUIT THE SPECIFIC APPLICATION.



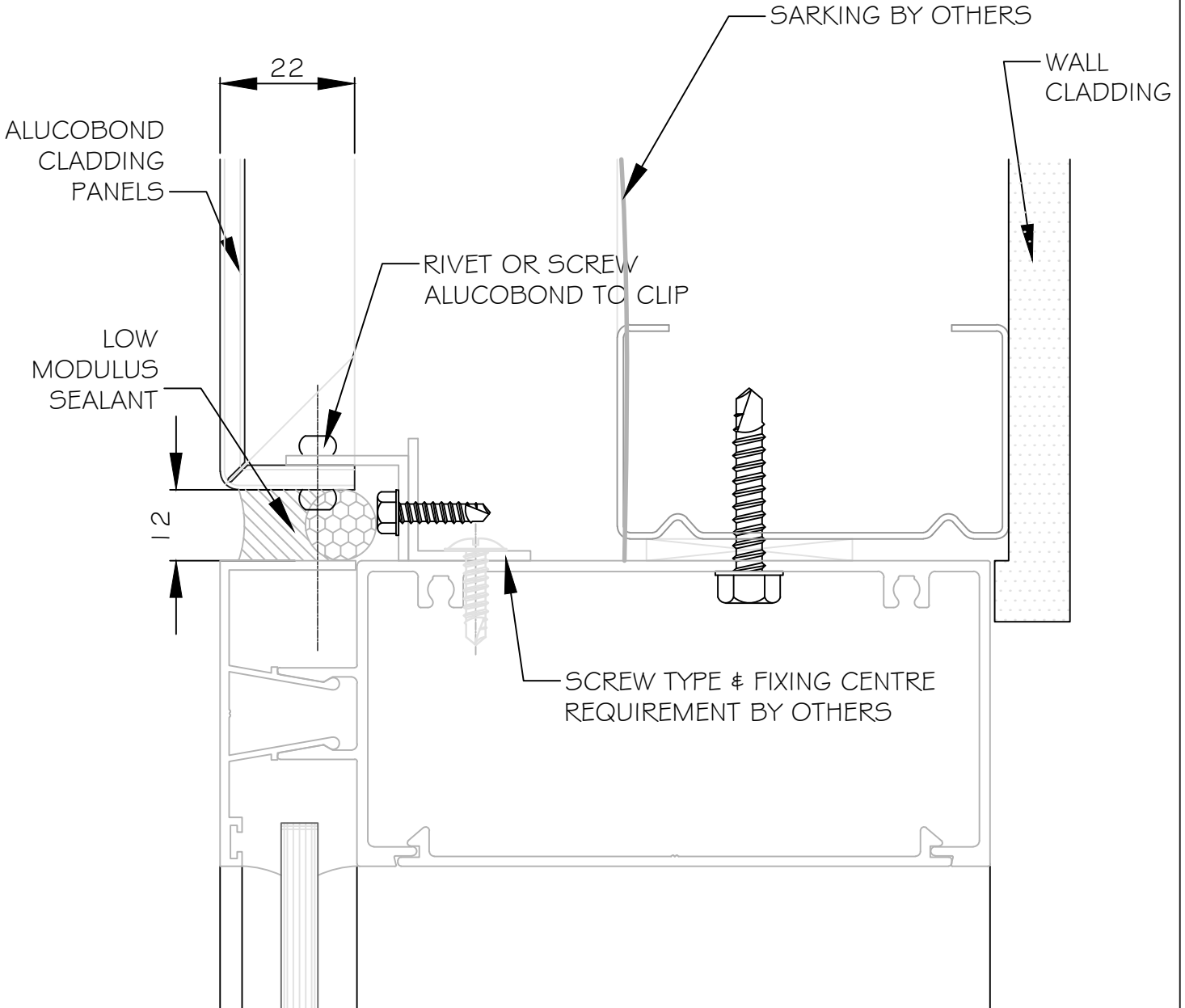
PARAPET
DETAIL

PAGE

P02

FIXED
CASSETTE
SYSTEM

© ALLUCOBOND ARCHITECTURAL.
ALL RIGHTS RESERVED. THIS DESIGN IS COPYRIGHT AND CAN NOT BE REPRODUCED OR COPIED IN ANY FORM EITHER IN PART OR IN WHOLE WITHOUT THE WRITTEN PERMISSION OF ALLUCOBOND ARCHITECTURAL 25 WEST PARK DRIVE, DEERLARK VIC 3003



02

WINDOW HEAD DETAIL

THIS INFORMATION IS GENERIC IN NATURE & SUPPLIED FOR GUIDANCE PURPOSES ONLY. JOINT WIDTHS WILL VARY TO SUIT PANEL SIZE & SEALANT USED.
TOP HAT DIMENSIONS ARE NOMINAL. DIMENSIONS, SPACING, SPANS & STIFFENER REQUIREMENTS WILL NEED TO BE CONFIRMED BY A SUITABLY QUALIFIED PROFESSIONAL TO SUIT THE SPECIFIC APPLICATION.



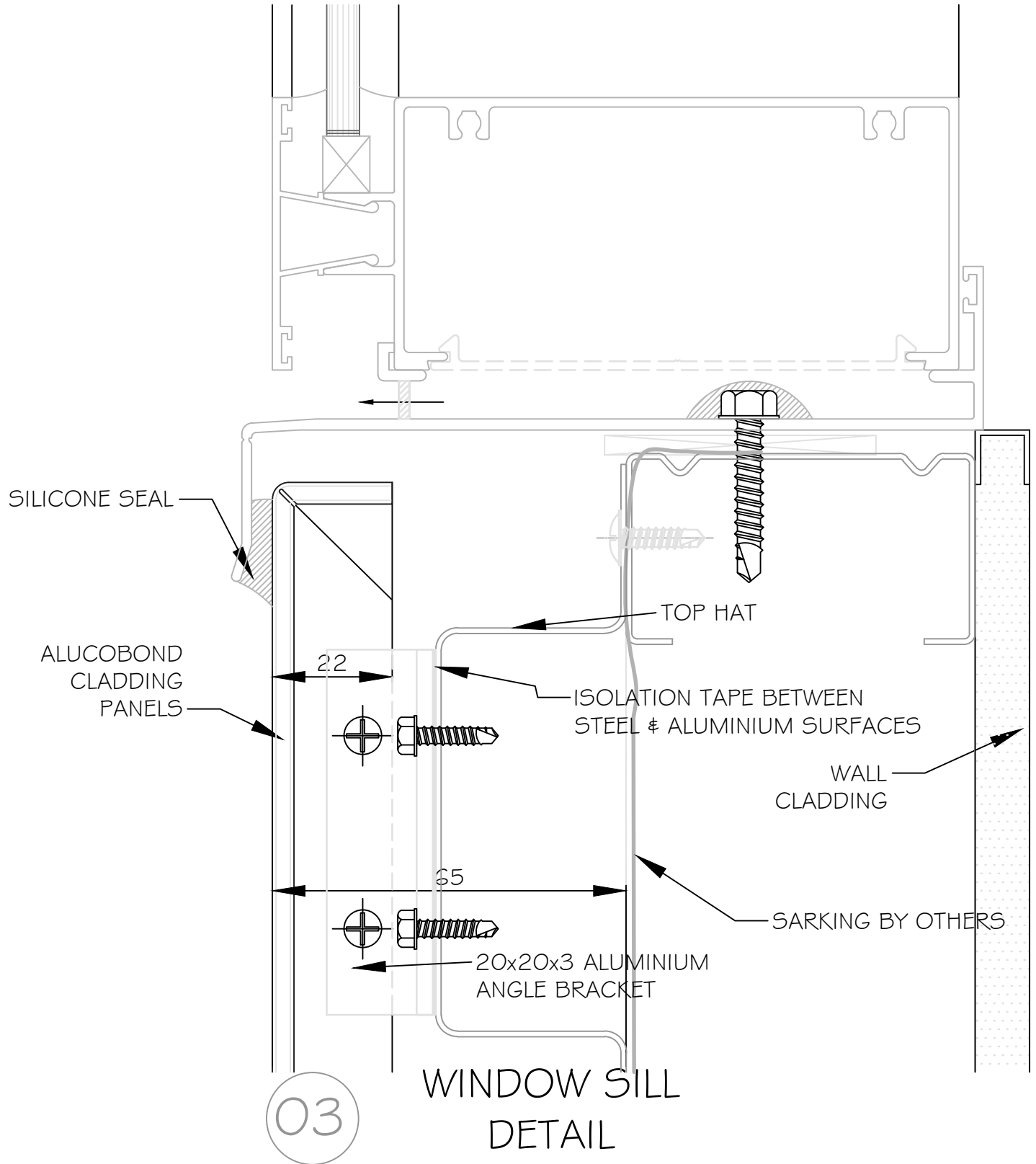
WINDOW DETAIL

PAGE

P03

FIXED
CASSETTE
SYSTEM

© ALLUCOBOND ARCHITECTURAL.
ALL RIGHTS RESERVED. THIS DESIGN IS COPYRIGHT AND CAN NOT BE REPRODUCED OR COPIED IN ANY FORM EITHER IN PART OR IN WHOLE WITHOUT THE WRITTEN PERMISSION OF ALLUCOBOND ARCHITECTURAL
25 WEST PARK DRIVE, DEERLARK VIC 3003



THIS INFORMATION IS GENERIC IN NATURE & SUPPLIED FOR GUIDANCE PURPOSES ONLY. JOINT WIDTHS WILL VARY TO SUIT PANEL SIZE & SEALANT USED.
TOP HAT DIMENSIONS ARE NOMINAL. DIMENSIONS, SPACING, SPANS & STIFFENER REQUIREMENTS WILL NEED TO BE CONFIRMED BY A SUITABLY QUALIFIED PROFESSIONAL TO SUIT THE SPECIFIC APPLICATION.



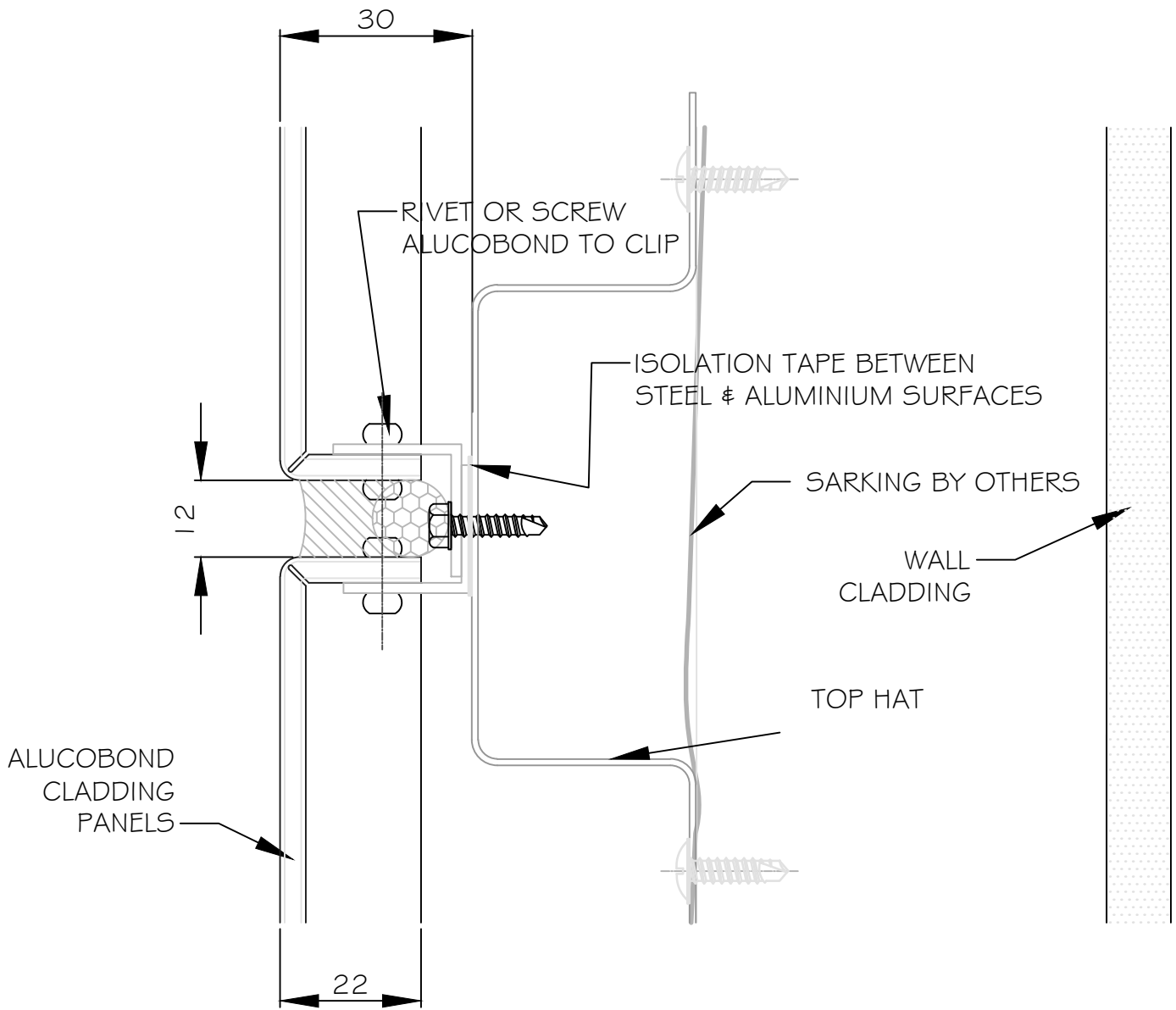
WINDOW DETAIL

PAGE

P04

FIXED
CASSETTE
SYSTEM

© ALLUCOBOND ARCHITECTURAL.
ALL RIGHTS RESERVED. THIS DESIGN IS COPYRIGHT AND CAN NOT BE REPRODUCED OR COPIED IN ANY FORM EITHER IN PART OR IN WHOLE WITHOUT THE WRITTEN PERMISSION OF ALLUCOBOND ARCHITECTURAL
25 WEST PARK DRIVE, DEERBARK VIC 3003



04

HORIZONTAL
JOINT DETAIL

THIS INFORMATION IS GENERIC IN NATURE & SUPPLIED FOR GUIDANCE PURPOSES ONLY. JOINT WIDTHS WILL VARY TO SUIT PANEL SIZE & SEALANT USED.
TOP HAT DIMENSIONS ARE NOMINAL. DIMENSIONS, SPACING, SPANS & STIFFENER REQUIREMENTS WILL NEED TO CONFIRMED BY A SUITABLY QUALIFIED PROFESSIONAL TO SUIT THE SPECIFIC APPLICATION.



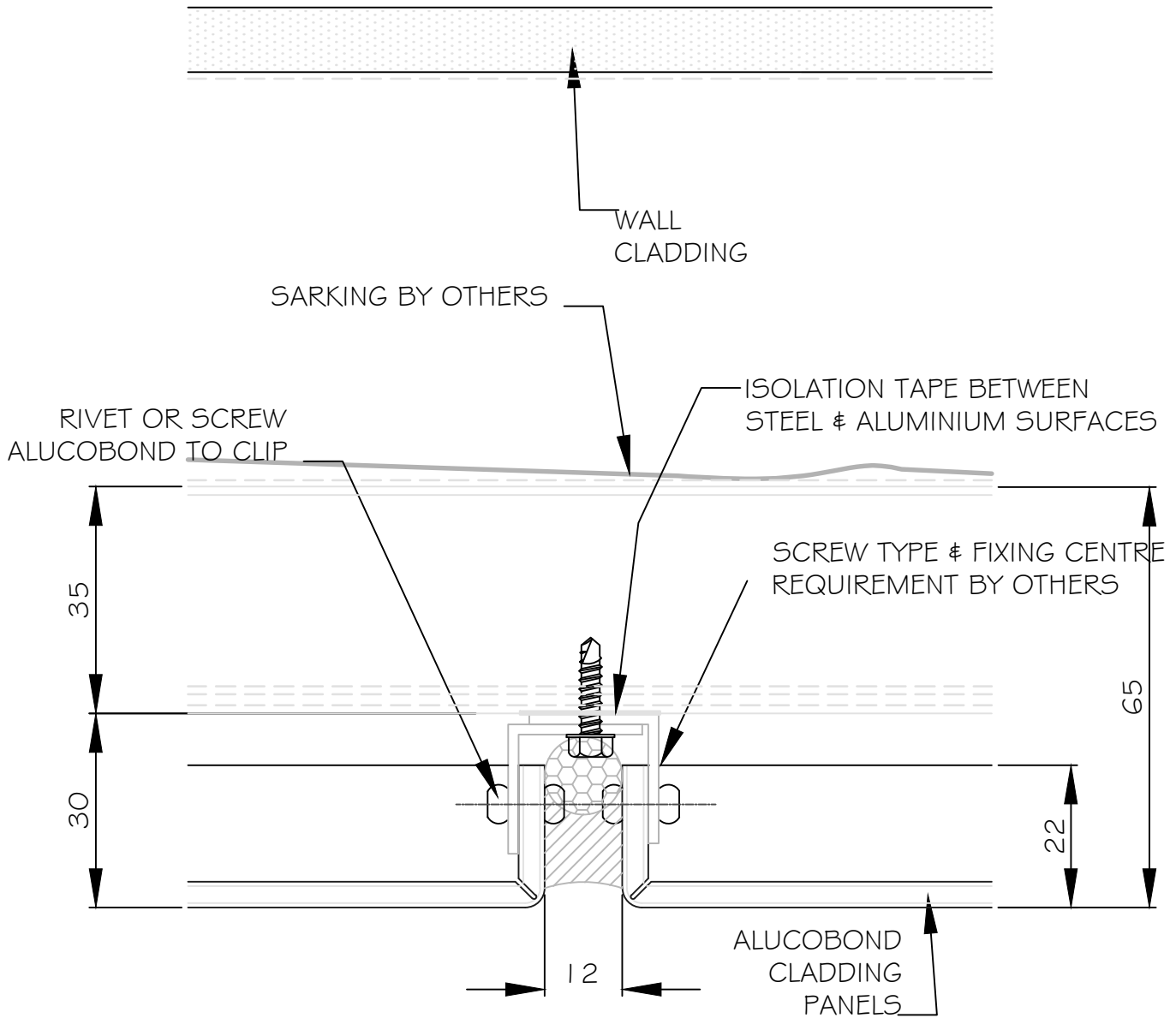
HORIZONTAL
JOINT

PAGE

P05

FIXED
CASSETTE
SYSTEM

© ALLUCOBOND ARCHITECTURAL.
ALL RIGHTS RESERVED. THIS DESIGN IS COPYRIGHT AND CAN NOT BE REPRODUCED OR COPIED IN ANY FORM EITHER IN PART OR IN WHOLE WITHOUT THE WRITTEN PERMISSION OF ALLUCOBOND ARCHITECTURAL
25 WEST PARK DRIVE, DEERBARK VIC 3003



05

VERTICAL JOINT

THIS INFORMATION IS GENERIC IN NATURE & SUPPLIED FOR GUIDANCE PURPOSES ONLY. JOINT WIDTHS WILL VARY TO SUIT PANEL SIZE & SEALANT USED.
TOP HAT DIMENSIONS ARE NOMINAL. DIMENSIONS, SPACING, SPANS & STIFFENER REQUIREMENTS WILL NEED TO BE CONFIRMED BY A SUITABLY QUALIFIED PROFESSIONAL TO SUIT THE SPECIFIC APPLICATION.



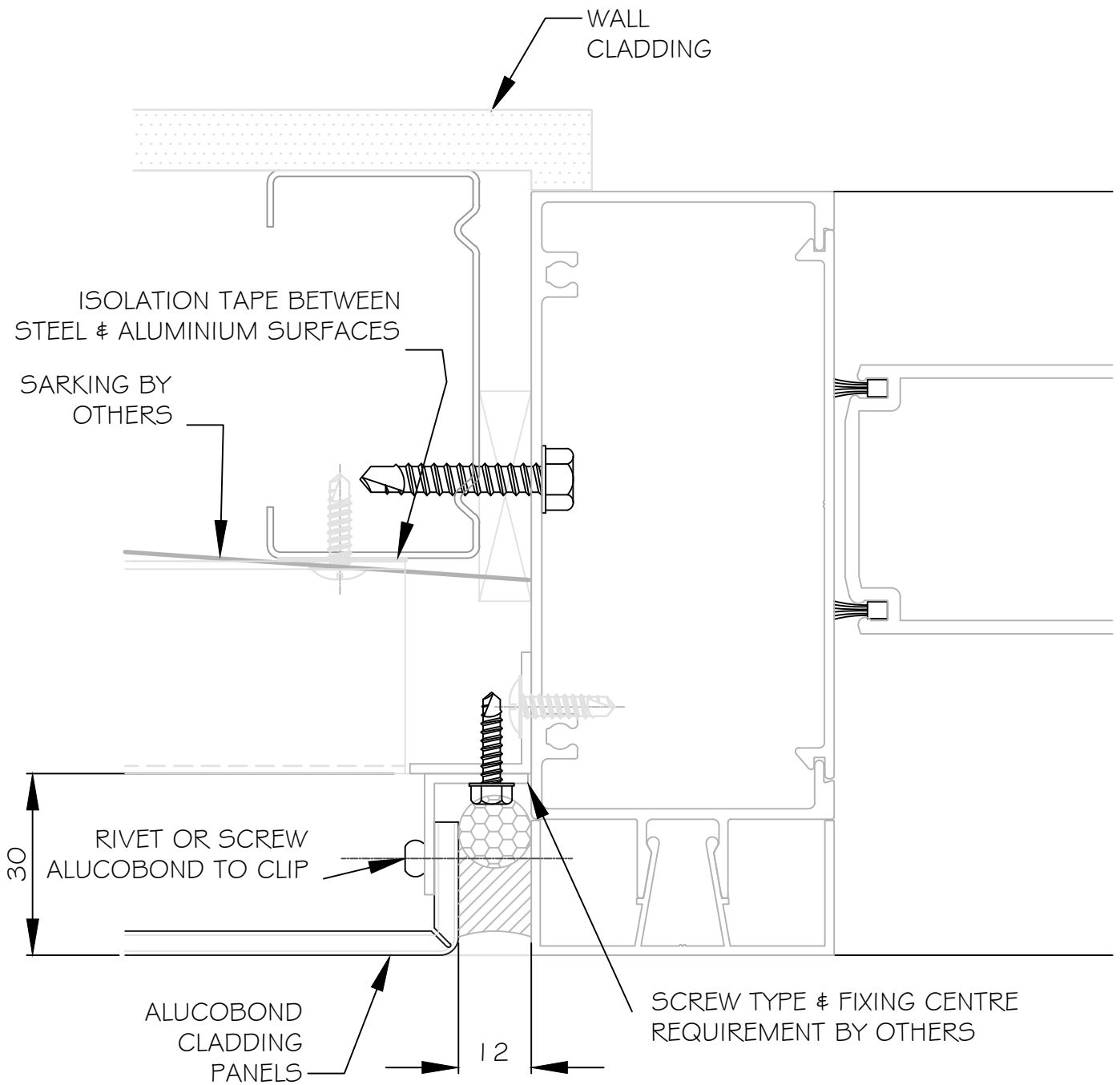
VERTICAL
JOINT

PAGE

P06

FIXED
CASSETTE
SYSTEM

© ALLUCOBOND ARCHITECTURAL.
ALL RIGHTS RESERVED. THIS DESIGN IS COPYRIGHT AND CAN NOT BE REPRODUCED OR COPIED IN ANY FORM EITHER IN PART OR IN WHOLE WITHOUT THE WRITTEN PERMISSION OF ALLUCOBOND ARCHITECTURAL
25 WEST PARK DRIVE, DEERLARK VIC 3003



06

JAMB
DETAIL

THIS INFORMATION IS GENERIC IN NATURE & SUPPLIED FOR GUIDANCE PURPOSES ONLY. JOINT WIDTHS WILL VARY TO SUIT PANEL SIZE & SEALANT USED.
TOP HAT DIMENSIONS ARE NOMINAL. DIMENSIONS, SPACING, SPANS & STIFFENER REQUIREMENTS WILL NEED TO BE CONFIRMED BY A SUITABLY QUALIFIED PROFESSIONAL TO SUIT THE SPECIFIC APPLICATION.



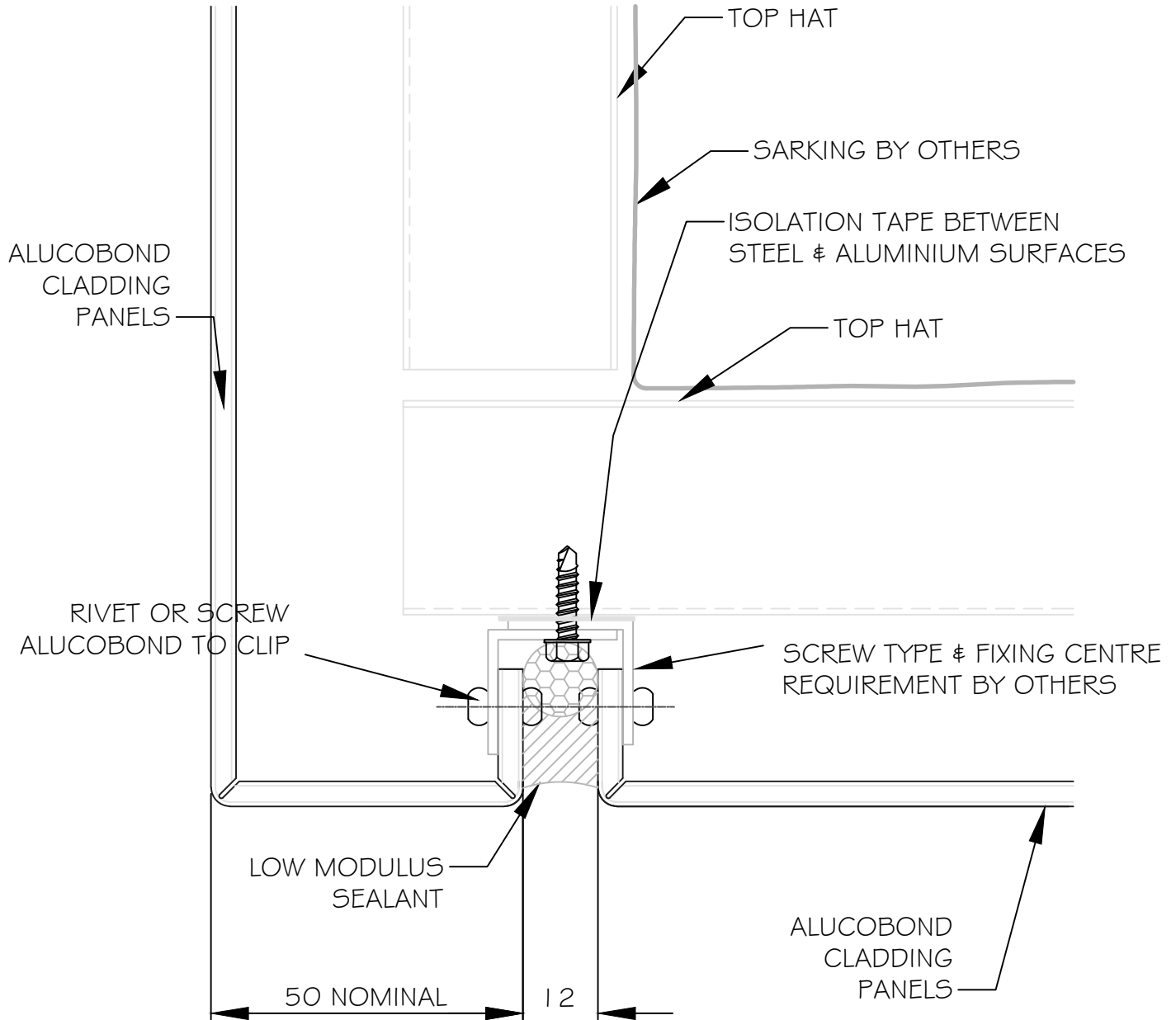
WINDOW DETAIL

PAGE

P07

FIXED
CASSETTE
SYSTEM

© ALLUCOBOND ARCHITECTURAL.
ALL RIGHTS RESERVED. THIS DESIGN IS COPYRIGHT AND CAN NOT BE REPRODUCED OR COPIED IN ANY FORM EITHER IN PART OR IN WHOLE WITHOUT THE WRITTEN PERMISSION OF ALLUCOBOND ARCHITECTURAL
25 WEST PARK DRIVE, DEERLARK VIC 3003



07

SOFFIT
DETAIL

THIS INFORMATION IS GENERIC IN NATURE & SUPPLIED FOR GUIDANCE PURPOSES ONLY. JOINT WIDTHS WILL VARY TO SUIT PANEL SIZE & SEALANT USED.
TOP HAT DIMENSIONS ARE NOMINAL. DIMENSIONS, SPACING, SPANS & STIFFENER REQUIREMENTS WILL NEED TO BE CONFIRMED BY A SUITABLY QUALIFIED PROFESSIONAL TO SUIT THE SPECIFIC APPLICATION.



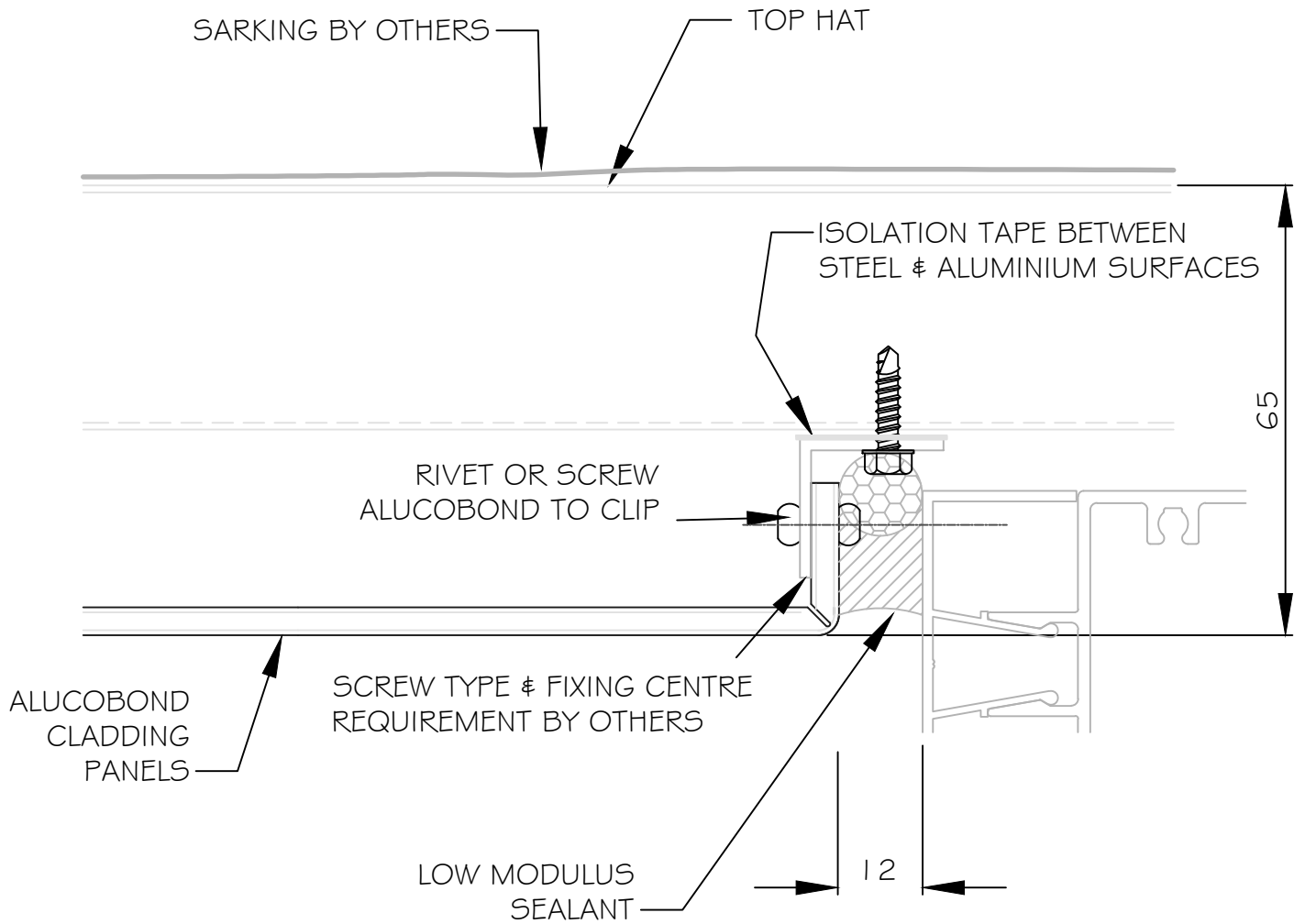
SOFFIT DETAIL

PAGE

P08

FIXED
CASSETTE
SYSTEM

© ALLUCOBOND ARCHITECTURAL.
ALL RIGHTS RESERVED. THIS DESIGN IS COPYRIGHT AND CAN NOT BE REPRODUCED OR COPIED IN ANY FORM EITHER IN PART OR IN WHOLE WITHOUT THE WRITTEN PERMISSION OF ALLUCOBOND ARCHITECTURAL
25 WEST PARK DRIVE, DEERLARK VIC 3003



08

SOFFIT
DETAIL

THIS INFORMATION IS GENERIC IN NATURE & SUPPLIED FOR GUIDANCE PURPOSES ONLY. JOINT WIDTHS WILL VARY TO SUIT PANEL SIZE & SEALANT USED.
TOP HAT DIMENSIONS ARE NOMINAL. DIMENSIONS, SPACING, SPANS & STIFFENER REQUIREMENTS WILL NEED TO BE CONFIRMED BY A SUITABLY QUALIFIED PROFESSIONAL TO SUIT THE SPECIFIC APPLICATION.



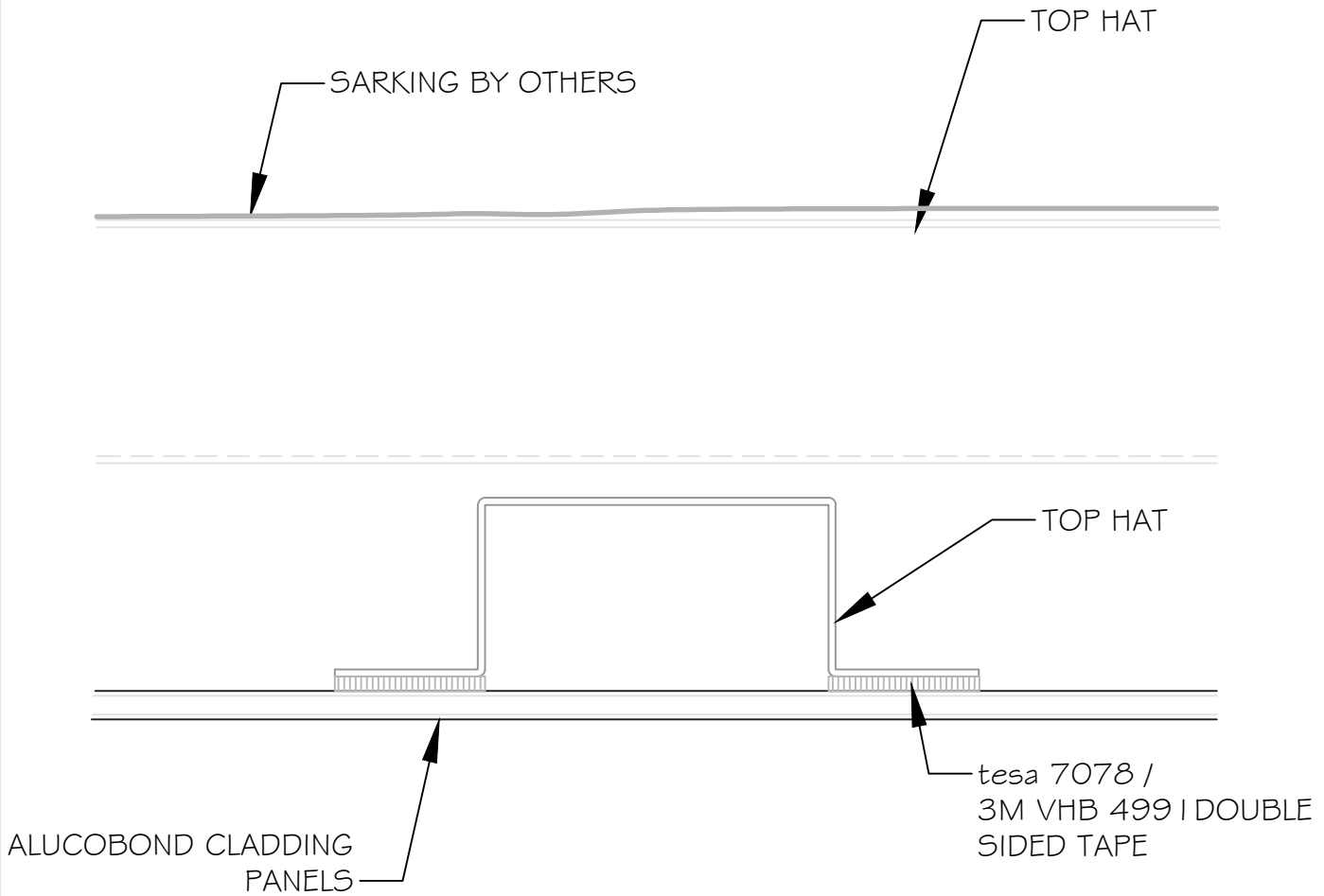
SOFFIT DETAIL

PAGE

P09

FIXED
CASSETTE
SYSTEM

© ALLUCOBOND ARCHITECTURAL.
ALL RIGHTS RESERVED. THIS DESIGN IS COPYRIGHT AND CAN NOT BE REPRODUCED OR COPIED IN ANY FORM EITHER IN PART OR IN WHOLE WITHOUT THE WRITTEN PERMISSION OF ALLUCOBOND ARCHITECTURAL
25 WEST PARK DRIVE, DEERHURST VIC 3003



NOTE: TO ENSURE APPLIED LOADS ARE TRANSFERRED BACK TO THE SUB STRUCTURE, ALL STIFFENERS SHOULD BE FIXED BACK TO THE CASSETTE EDGE. REQUIREMENTS INCLUDING; GAUGE, MATERIAL TEMPER, CENTRES / SPANS TO BE DETERMINED BY QUALIFIED PROFESSIONAL SPECIFIC TO THE APPLICATION.

10

STIFFENER DETAIL

THIS INFORMATION IS GENERIC IN NATURE & SUPPLIED FOR GUIDANCE PURPOSES ONLY. JOINT WIDTHS WILL VARY TO SUIT PANEL SIZE & SEALANT USED.
TOP HAT DIMENSIONS ARE NOMINAL. DIMENSIONS, SPACING, SPANS & STIFFENER REQUIREMENTS WILL NEED TO BE CONFIRMED BY A SUITABLY QUALIFIED PROFESSIONAL TO SUIT THE SPECIFIC APPLICATION.



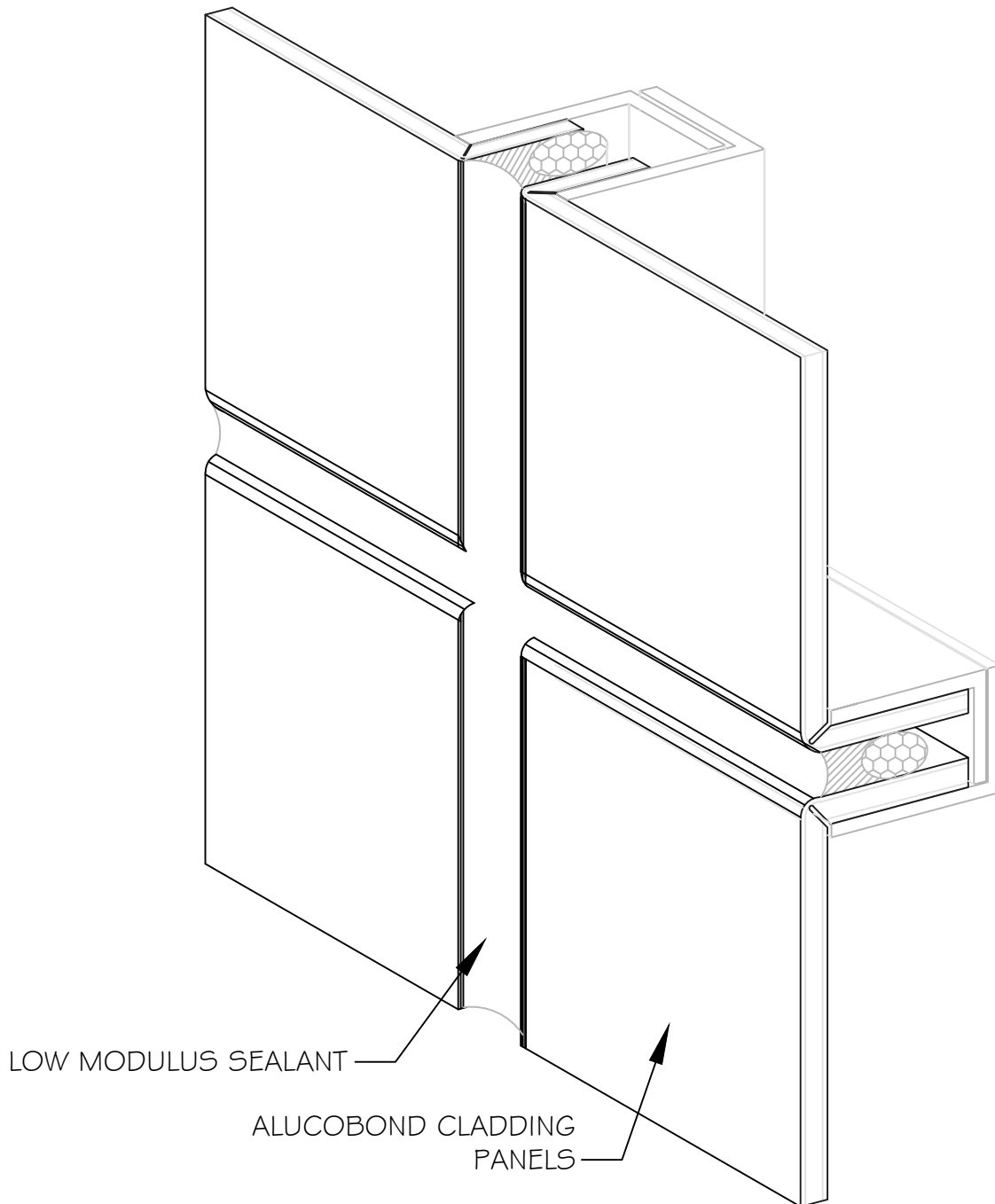
STIFFENER
DETAIL

PAGE

P10

FIXED
CASSETTE
SYSTEM

© ALLUCOBOND ARCHITECTURAL.
ALL RIGHTS RESERVED. THIS DESIGN IS COPYRIGHT AND CAN NOT BE REPRODUCED OR COPIED IN ANY FORM EITHER IN PART OR IN WHOLE WITHOUT THE WRITTEN PERMISSION OF ALLUCOBOND ARCHITECTURAL
25 WEST PARK DRIVE, DEERLARK VIC 3003



HORIZONTAL JOINT DETAIL

THIS INFORMATION IS GENERIC IN NATURE & SUPPLIED FOR GUIDANCE PURPOSES ONLY. JOINT WIDTHS WILL VARY TO SUIT PANEL SIZE & SEALANT USED.
TOP HAT DIMENSIONS ARE NOMINAL. DIMENSIONS, SPACING, SPANS & STIFFENER REQUIREMENTS WILL NEED TO BE CONFIRMED BY A SUITABLY QUALIFIED PROFESSIONAL TO SUIT THE SPECIFIC APPLICATION.



HORIZONTAL
JOINT DETAIL

PAGE

P 11

FIXED
CASSETTE
SYSTEM

© ALLUCOBOND ARCHITECTURAL.
ALL RIGHTS RESERVED. THIS DESIGN IS COPYRIGHT AND CAN NOT BE REPRODUCED OR COPIED IN ANY FORM EITHER IN PART OR IN WHOLE WITHOUT THE WRITTEN PERMISSION OF ALLUCOBOND ARCHITECTURAL
25 WEST PARK DRIVE, DEERHURST VIC 3093