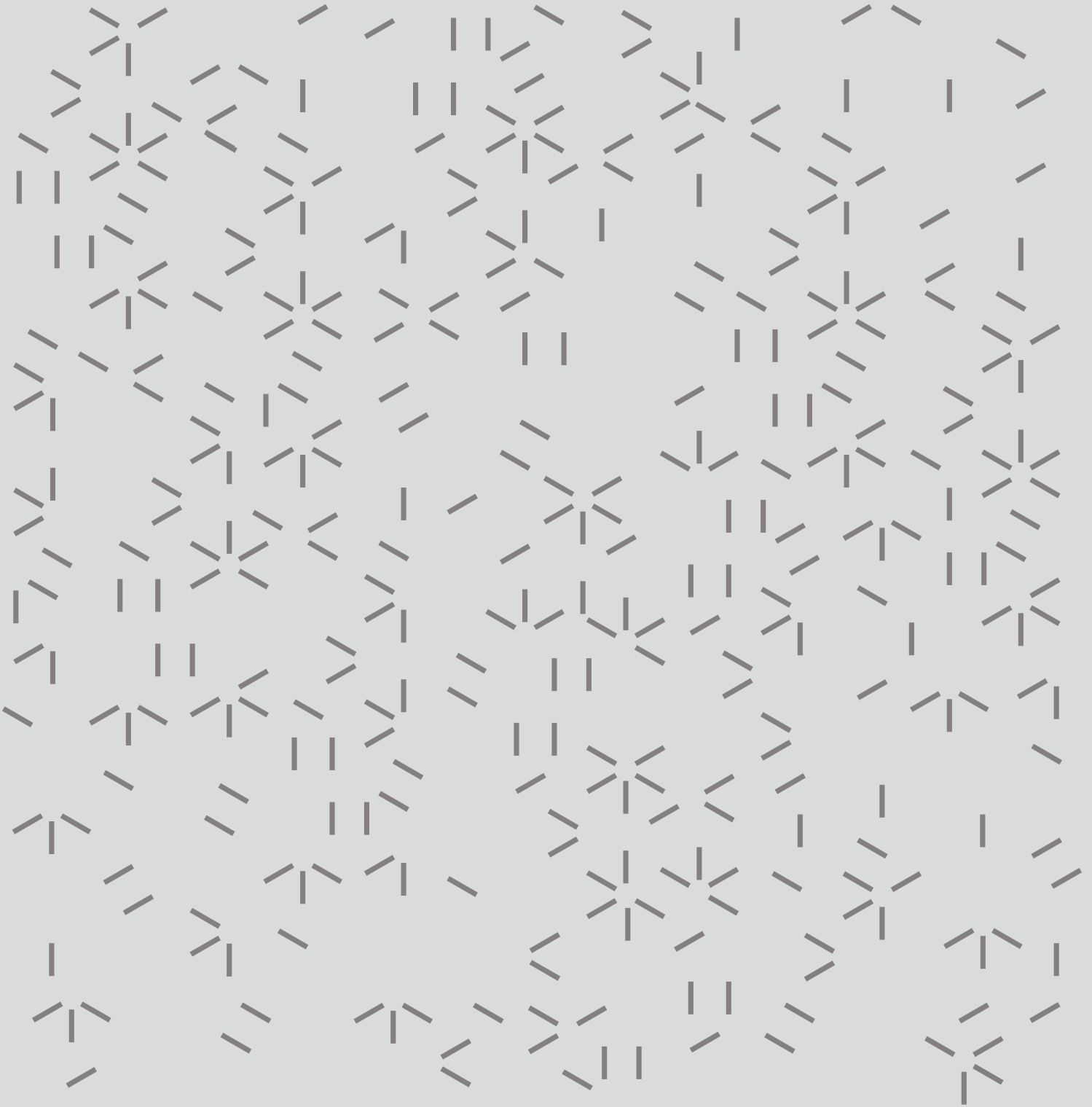


ZINTL®

PREMIUM INTERLOCKING
ALUMINIUM CLADDING SYSTEM



HORIZONTAL FIXING DETAILS

ZINTL®

PREMIUM INTERLOCKING
ALUMINIUM CLADDING SYSTEM

CONTENTS

LINEA

HORIZONTAL FIXING DETAILS 3

SHADOW

HORIZONTAL FIXING DETAILS 17

SHIPLAP

HORIZONTAL FIXING DETAILS 31

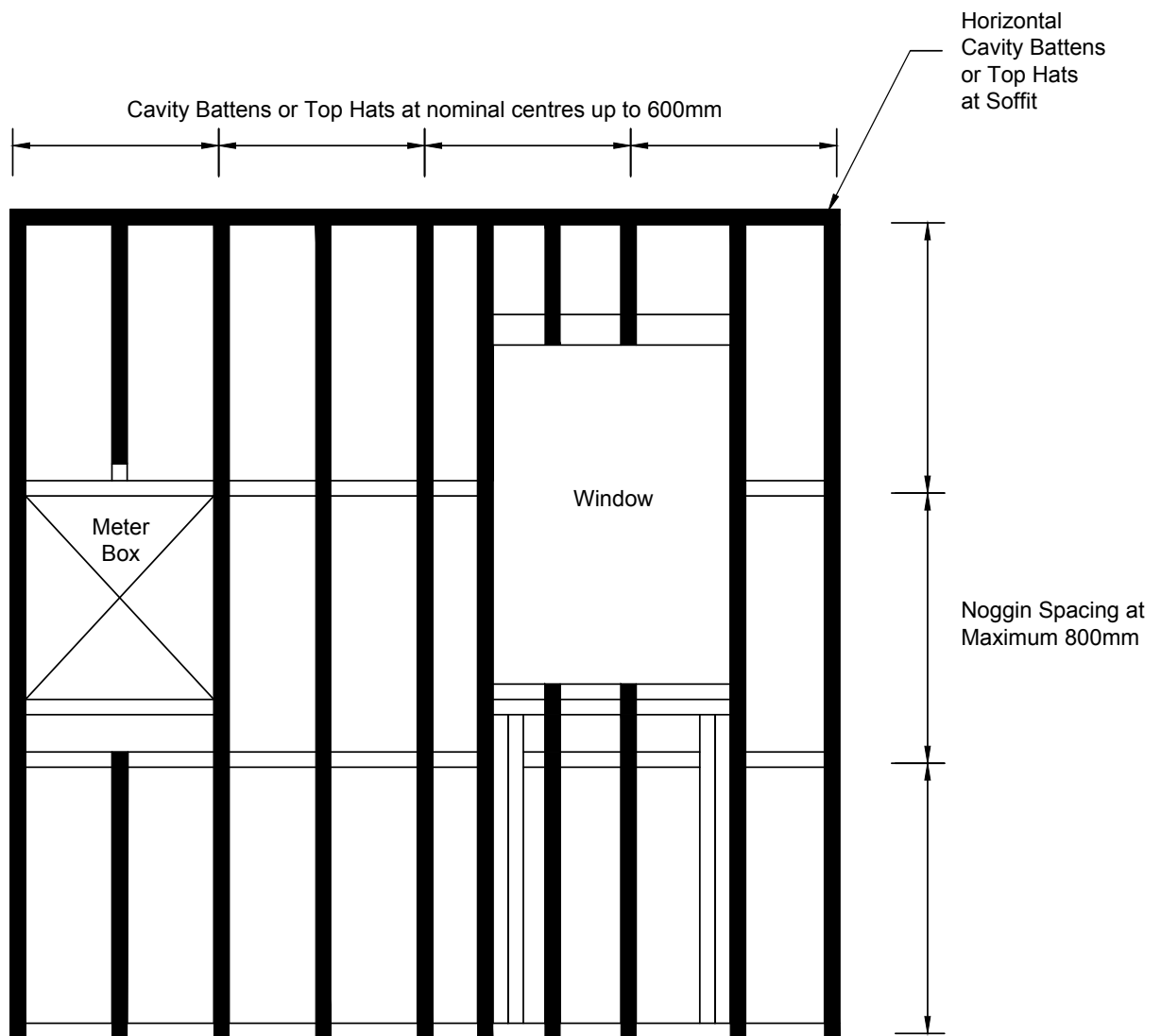
ZINTL®

PREMIUM INTERLOCKING
ALUMINIUM CLADDING SYSTEM

LINEA
HORIZONTAL FIXING DETAILS



HORIZONTAL CLADDING WALL LAYOUT



LINEA HORIZONTAL FIXING DETAIL

This information is generic in nature and supplied for guidance purposes only. Top Hat dimensions are nominal. Dimensions, spacing, spans and stiffener requirements will need to be confirmed by a suitably qualified professional to suit the specific application.

By **HVG** façades

hvgfacades.com.au

1300 881 712

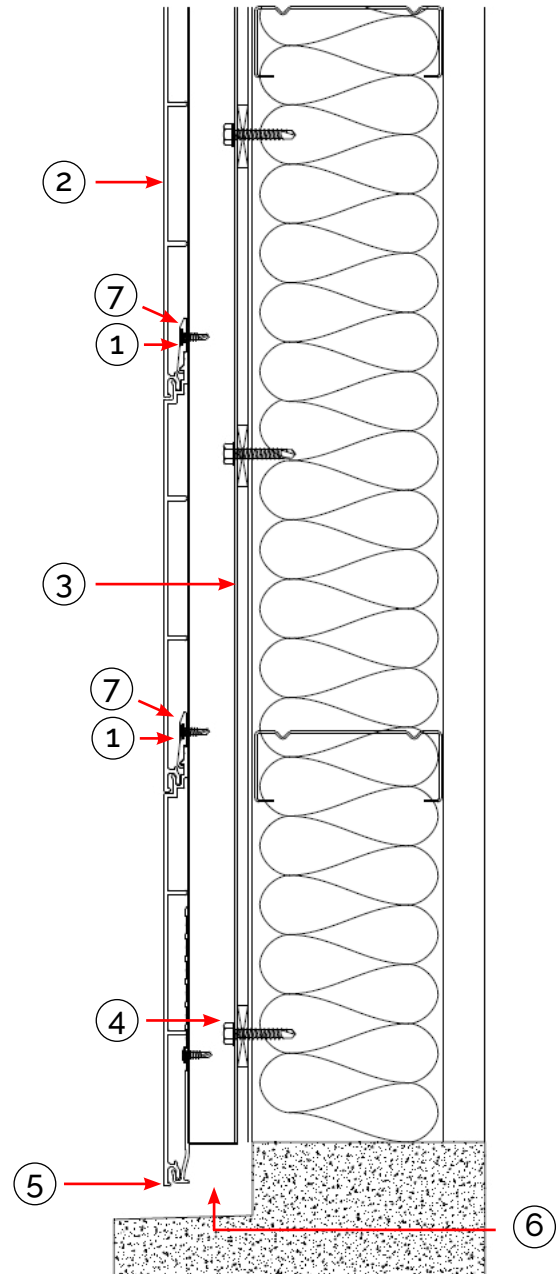
info@hvgfacades.com.au

ZINTL®

LINEA HORIZONTAL FIXING DETAIL

BASE DETAIL

- ① Universal Fixing Clip and Screw
- ② ZINTL Board
- ③ Sisalation as per specification
- ④ GAL Top Hat
- ⑤ Base Channel / Starter Strip
- ⑥ 15mm Dip Edge
- ⑦ EPDM Foam Strip (optional)



LINEA HORIZONTAL FIXING DETAIL

This information is generic in nature and supplied for guidance purposes only. Top Hat dimensions are nominal. Dimensions, spacing, spans and stiffener requirements will need to be confirmed by a suitably qualified professional to suit the specific application.

By **HVG** façades

hvgfacades.com.au

1300 881 712

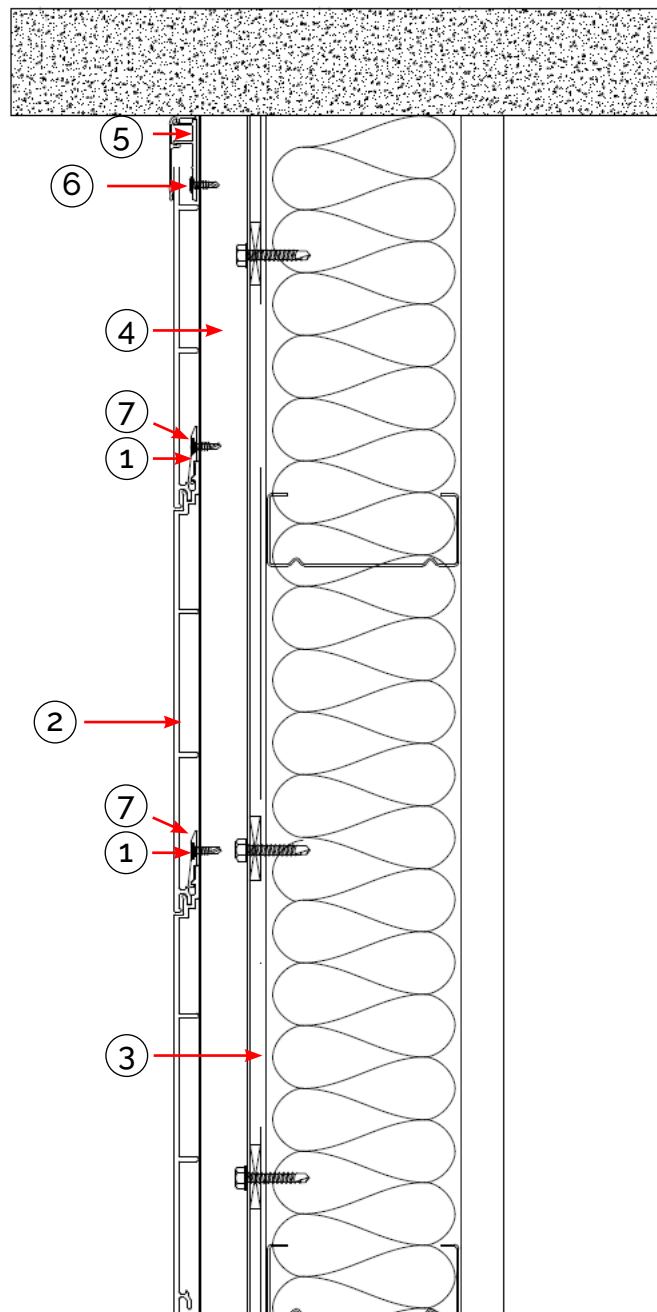
info@hvgfacades.com.au

ZINTL®

LINEA HORIZONTAL FIXING DETAIL

SOFFIT DETAIL

- ① Universal Fixing Clip and Screw
- ② ZINTL Board
- ③ Sisalation as per specification
- ④ GAL Top Hat
- ⑤ Jamb Flashing Base
- ⑥ Jamb Flashing Cap
- ⑦ EPDM Foam Strip (optional)



LINEA HORIZONTAL FIXING DETAIL

This information is generic in nature and supplied for guidance purposes only. Top Hat dimensions are nominal. Dimensions, spacing, spans and stiffener requirements will need to be confirmed by a suitably qualified professional to suit the specific application.

By **HVG** façades

hvgfacades.com.au

1300 881 712

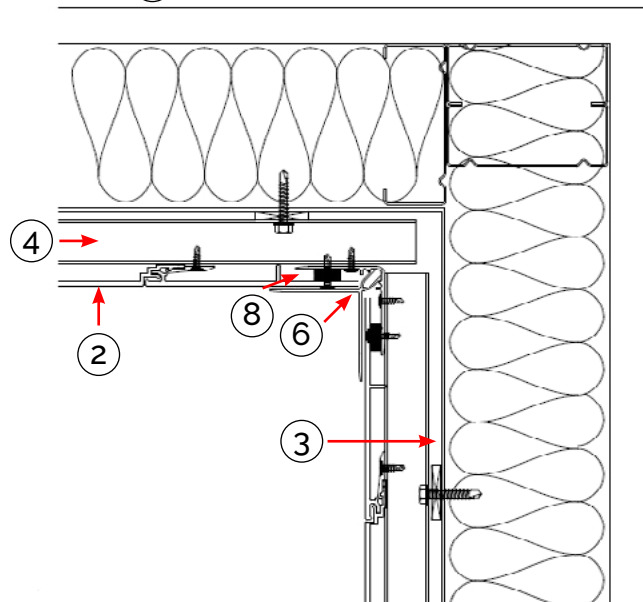
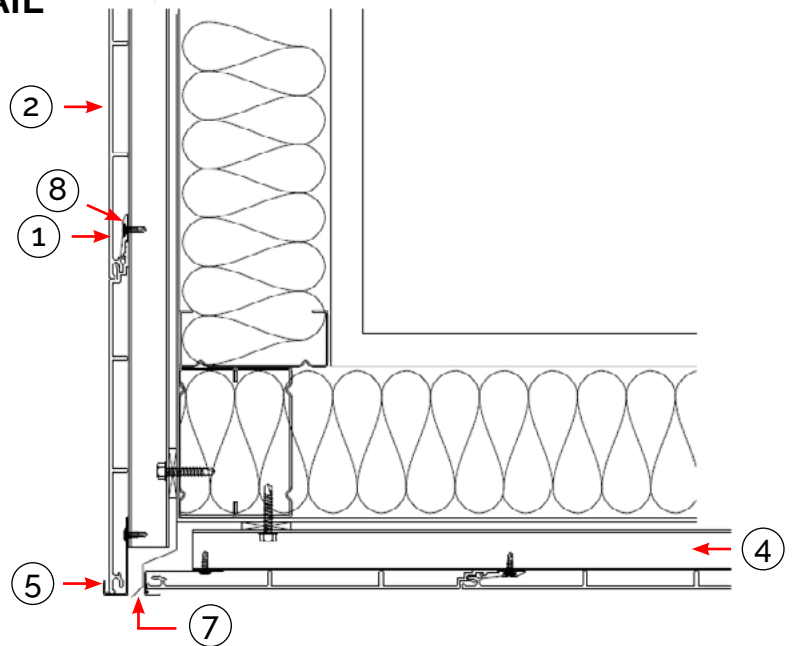
info@hvgfacades.com.au

ZINTL®

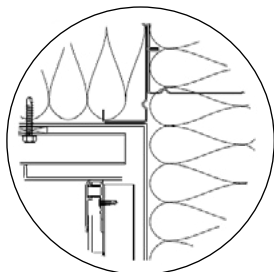
LINEA HORIZONTAL FIXING DETAIL

WALL TO CONNECTION DETAIL

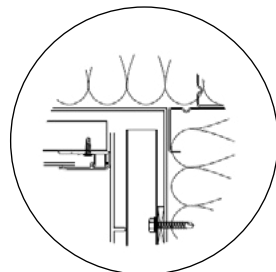
- ① Universal Fixing Clip and Screw
- ② ZINTL Board
- ③ Sisalation as per specification
- ④ GAL Top Hat
- ⑤ Base Channel
- ⑥ Female and Male Corner
- ⑦ Flashing by others
- ⑧ EPDM Foam Strip (optional)



OPTIONAL



OPTIONAL



LINEA HORIZONTAL FIXING DETAIL

This information is generic in nature and supplied for guidance purposes only. Top Hat dimensions are nominal. Dimensions, spacing, spans and stiffener requirements will need to be confirmed by a suitably qualified professional to suit the specific application.

By **HVG** façades

hvgfacades.com.au

1300 881 712

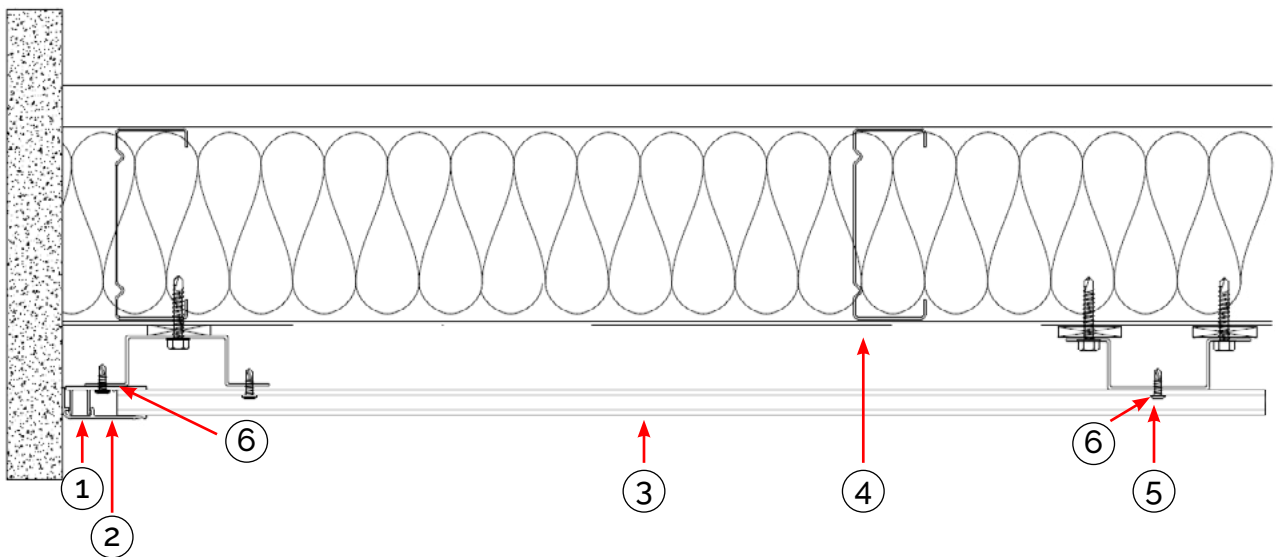
info@hvgfacades.com.au

ZINTL®

LINEA HORIZONTAL FIXING DETAIL

END FINISH DETAIL

- ① Jamb Flashing Cap
- ② Jamb Flashing Base
- ③ ZINTL Board
- ④ Sisalation as per specification
- ⑤ Universal fixing clip and screw
- ⑥ EPDM Foam Strip (optional)



LINEA HORIZONTAL FIXING DETAIL

This information is generic in nature and supplied for guidance purposes only. Top Hat dimensions are nominal. Dimensions, spacing, spans and stiffener requirements will need to be confirmed by a suitably qualified professional to suit the specific application.

By **HVG** façades

hvgfacades.com.au

1300 881 712

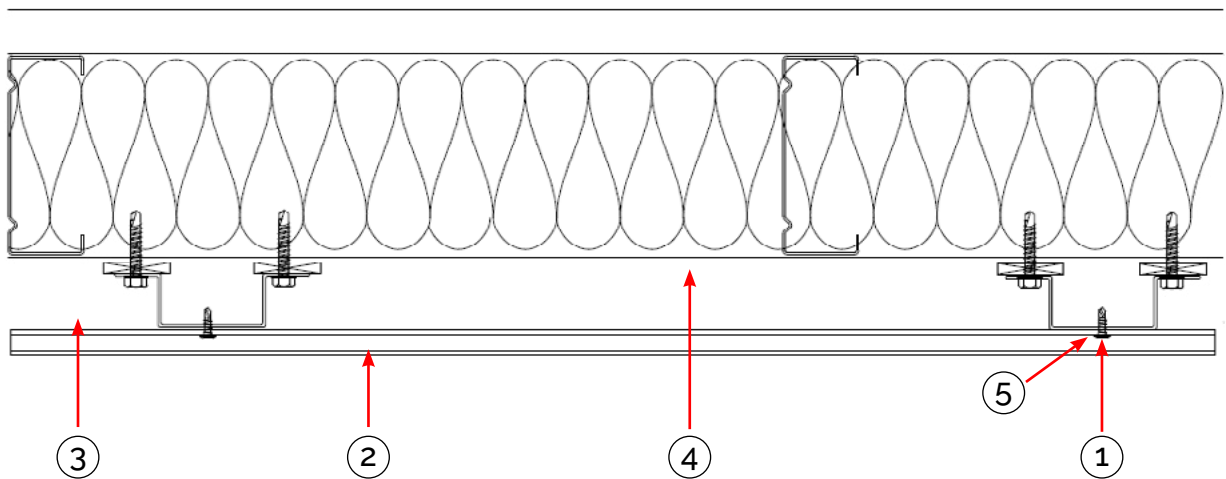
info@hvgfacades.com.au

ZINTL®

LINEA HORIZONTAL FIXING DETAIL

GENERAL CONNECTION DETAIL

- ① Universal Fixing Clip and Screw
- ② ZINTL Board
- ③ Sisalation as per specification
- ④ GAL Top Hat
- ⑤ EPDM Foam Strip (optional)



LINEA HORIZONTAL FIXING DETAIL

This information is generic in nature and supplied for guidance purposes only. Top Hat dimensions are nominal. Dimensions, spacing, spans and stiffener requirements will need to be confirmed by a suitably qualified professional to suit the specific application.

By **HVG** façades

hvgfacades.com.au

1300 881 712

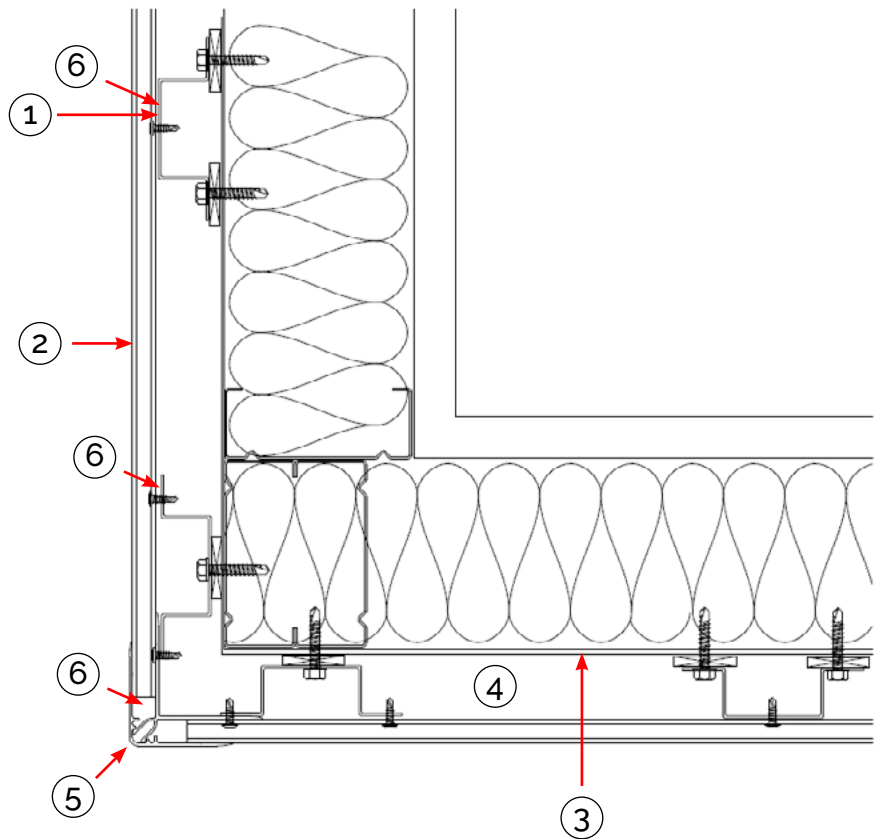
info@hvgfacades.com.au

ZINTL®

LINEA HORIZONTAL FIXING DETAIL

EXTERNAL CORNER DETAIL

- ① Universal Fixing Clip and Screw
- ② ZINTL Board
- ③ Sisalation as per specification
- ④ GAL Top Hat
- ⑤ Female and Male Corner
- ⑥ EPDM Foam Strip (optional)



LINEA HORIZONTAL FIXING DETAIL

This information is generic in nature and supplied for guidance purposes only. Top Hat dimensions are nominal. Dimensions, spacing, spans and stiffener requirements will need to be confirmed by a suitably qualified professional to suit the specific application.

By **HVG** façades

hvgfacades.com.au

1300 881 712

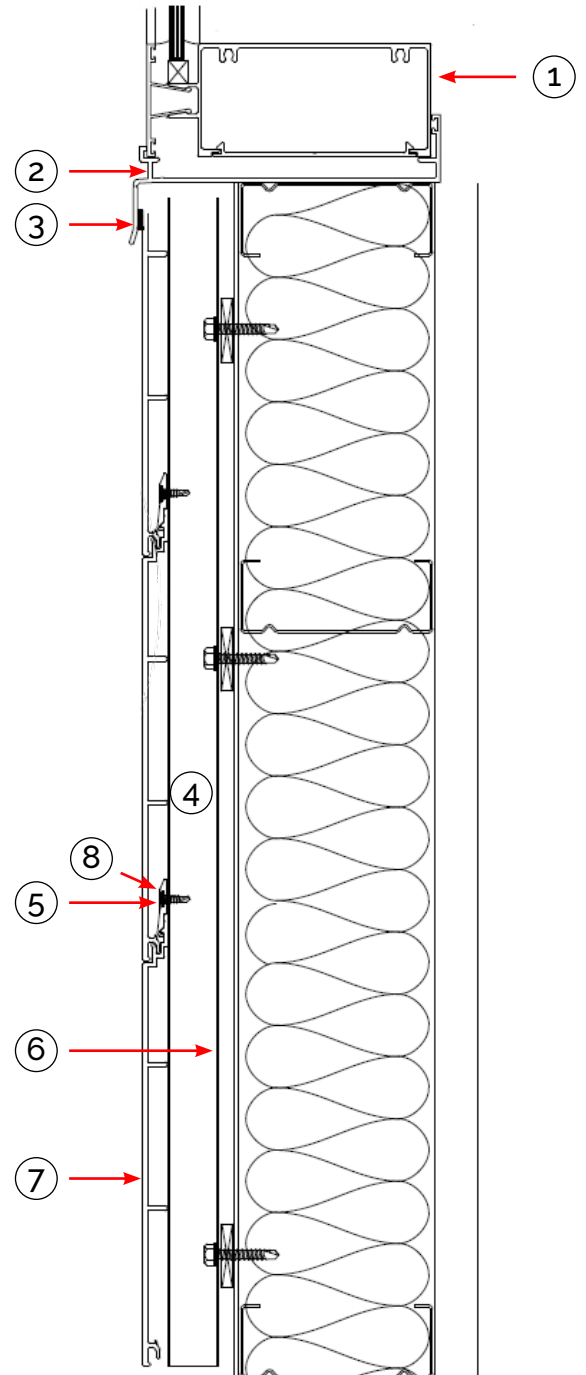
info@hvgfacades.com.au

ZINTL®

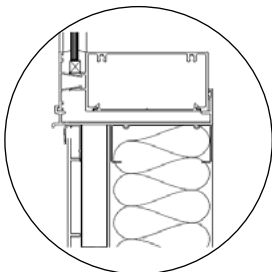
LINEA HORIZONTAL FIXING DETAIL

WINDOW SILL DETAIL

- ① Window Subframe
- ② Window Sill
- ③ EPDM Foam Tape/Caulking
- ④ GAL Top Hat
- ⑤ Universal Fixing Clip and Screw
- ⑥ Sisalation as per specification
- ⑦ ZINTL Board
- ⑧ EPDM Foam Strip (optional)



OPTIONAL



LINEA HORIZONTAL FIXING DETAIL

This information is generic in nature and supplied for guidance purposes only. Top Hat dimensions are nominal. Dimensions, spacing, spans and stiffener requirements will need to be confirmed by a suitably qualified professional to suit the specific application.

By **HVG** façades

hvgfacades.com.au

1300 881 712

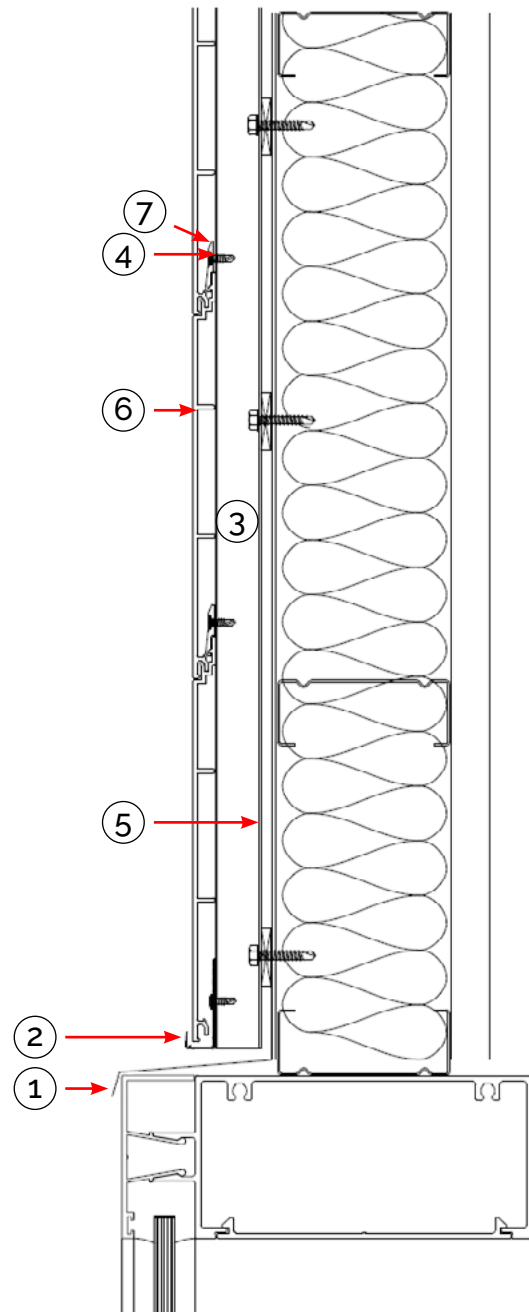
info@hvgfacades.com.au

ZINTL®

LINEA HORIZONTAL FIXING DETAIL

WINDOW HEAD DETAIL

- ① Flashing by Others
- ② Base Channel
- ③ GAL Top Hat
- ④ Universal Fixing Clip and Screw
- ⑤ Sisalation as per specification
- ⑥ ZINTL Board
- ⑦ EPDM Foam Strip (optional)



LINEA HORIZONTAL FIXING DETAIL

This information is generic in nature and supplied for guidance purposes only. Top Hat dimensions are nominal. Dimensions, spacing, spans and stiffener requirements will need to be confirmed by a suitably qualified professional to suit the specific application.

By **HVG** façades

hvgfacades.com.au

1300 881 712

info@hvgfacades.com.au

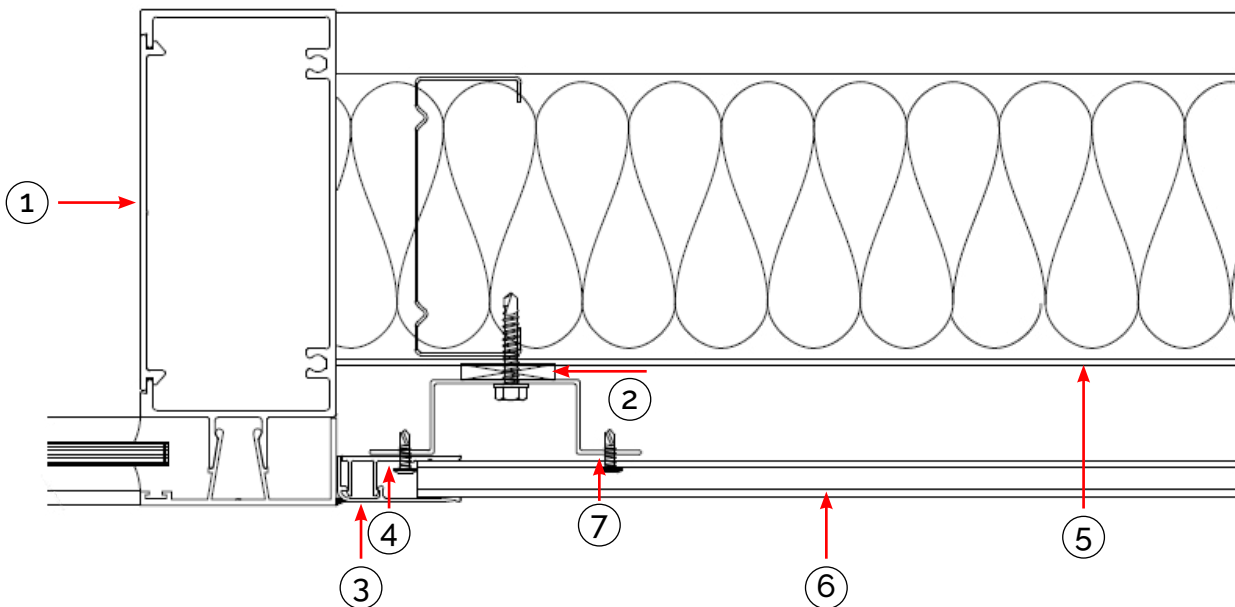
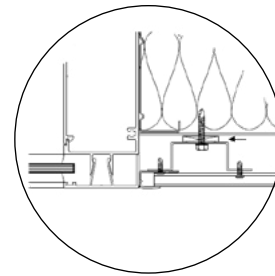
ZINTL®

LINEA HORIZONTAL FIXING DETAIL

WINDOW JAMB DETAIL

- ① Window Subframe
- ② Packers
- ③ JAMB Flashing Base
- ④ JAMB Flashing Cap
- ⑤ Sisalation as per specification
- ⑥ ZINTL Board
- ⑦ EPDM Foam Strip (optional)

OPTIONAL



LINEA HORIZONTAL FIXING DETAIL

This information is generic in nature and supplied for guidance purposes only. Top Hat dimensions are nominal. Dimensions, spacing, spans and stiffener requirements will need to be confirmed by a suitably qualified professional to suit the specific application.

By **HVG** façades

hvgfacades.com.au

1300 881 712

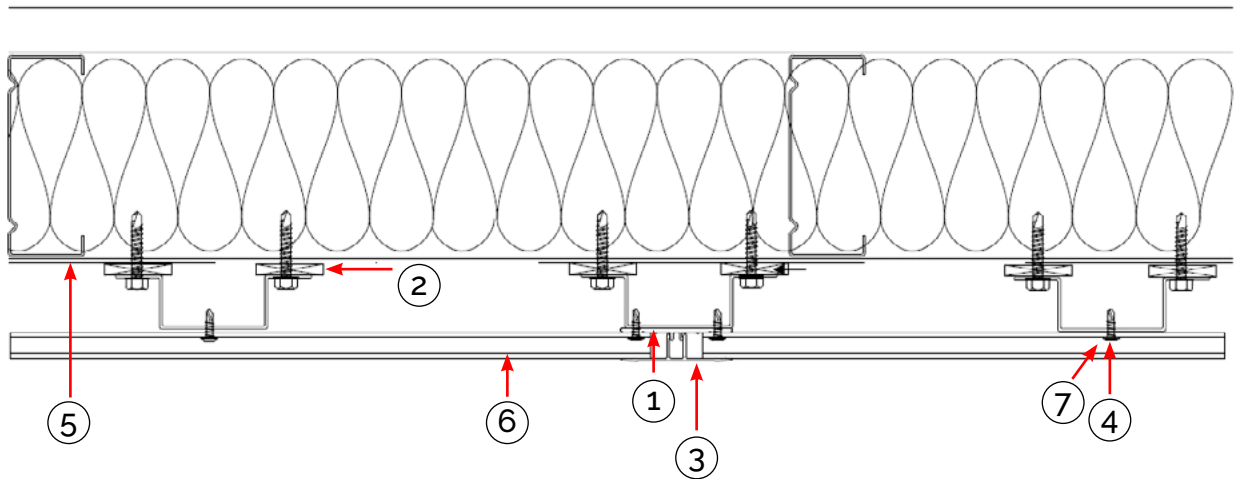
info@hvgfacades.com.au

ZINTL®

LINEA HORIZONTAL FIXING DETAIL

JOINER DETAIL

- ① Base Joiner
- ② Packers
- ③ External Joiner Cap
- ④ Universal Fixing Clip and Screw
- ⑤ Sisalation as per specification
- ⑥ ZINTL Board
- ⑦ EPDM Foam Strip (optional)



LINEA HORIZONTAL FIXING DETAIL

This information is generic in nature and supplied for guidance purposes only. Top Hat dimensions are nominal. Dimensions, spacing, spans and stiffener requirements will need to be confirmed by a suitably qualified professional to suit the specific application.

By **HVG** façades

hvgfacades.com.au

1300 881 712

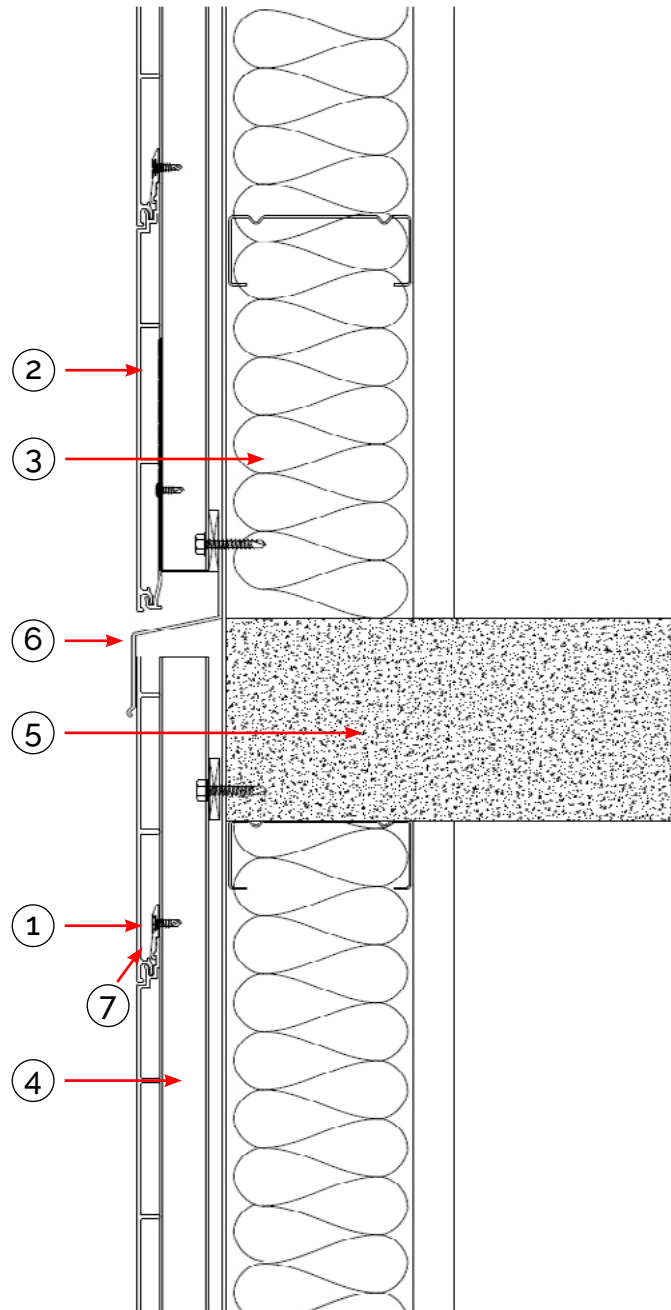
info@hvgfacades.com.au

ZINTL®

LINEA HORIZONTAL FIXING DETAIL

INTERSTOREY JOINT

- ① Universal Fixing Clip and Screw
- ② ZINTL Board
- ③ Sisalation as per specification
- ④ GAL Top Hat
- ⑤ Packers
- ⑥ Interstorey Joiner
- ⑦ EPDM Foam Strip (optional)



LINEA HORIZONTAL FIXING DETAIL

This information is generic in nature and supplied for guidance purposes only. Top Hat dimensions are nominal. Dimensions, spacing, spans and stiffener requirements will need to be confirmed by a suitably qualified professional to suit the specific application.

By **HVG** façades

hvgfacades.com.au

1300 881 712

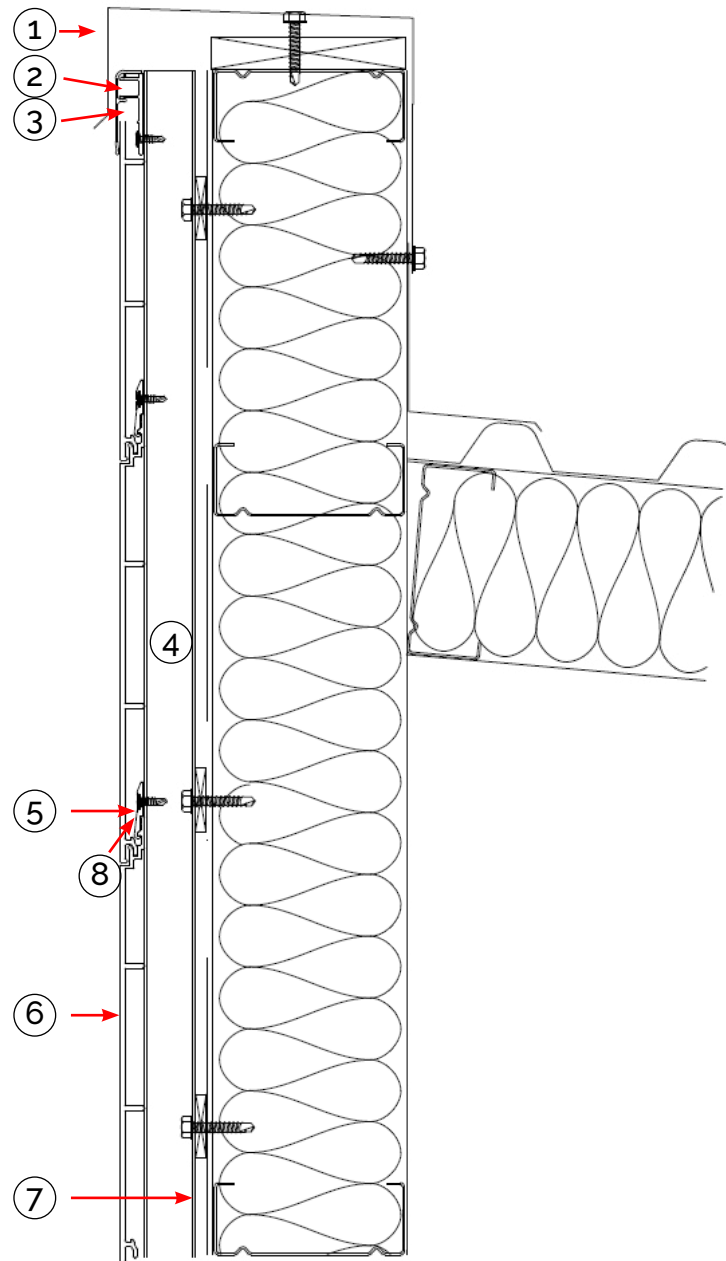
info@hvgfacades.com.au

ZINTL®

LINEA HORIZONTAL FIXING DETAIL

ROOF TO WALL JUNCTION

- ① Roof Capping by Others
- ② Jamb Flashing Base
- ③ Jamb Flashing Cap
- ④ GAL Top Hat
- ⑤ Universal Fixing Clip & Screw
- ⑥ ZINTL Board
- ⑦ Sisalation as per specification
- ⑧ EPDM Foam Strip (optional)



LINEA HORIZONTAL FIXING DETAIL

This information is generic in nature and supplied for guidance purposes only. Top Hat dimensions are nominal. Dimensions, spacing, spans and stiffener requirements will need to be confirmed by a suitably qualified professional to suit the specific application.

By **HVG** façades

hvgfacades.com.au

1300 881 712

info@hvgfacades.com.au

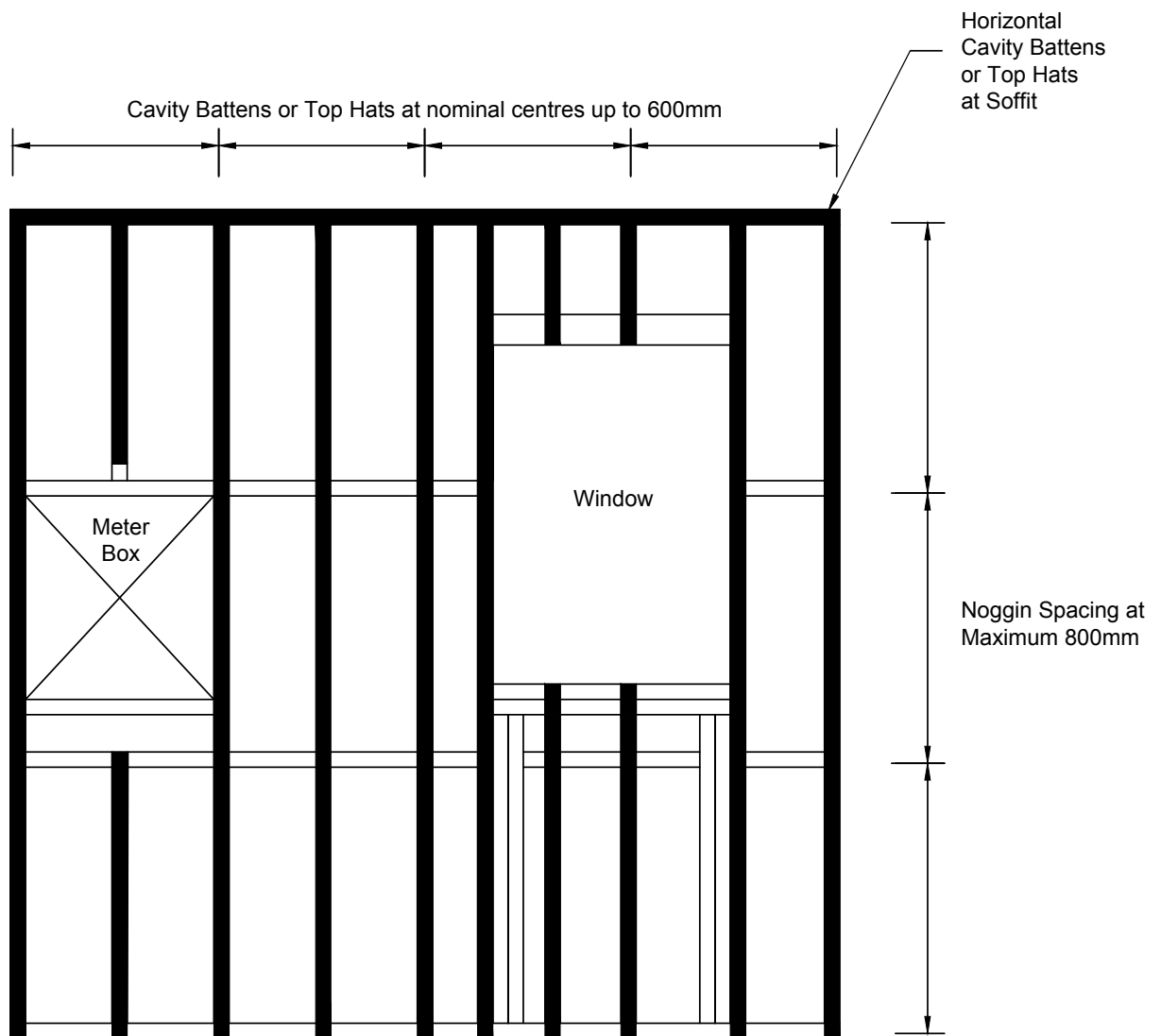
ZINTL®

PREMIUM INTERLOCKING
ALUMINIUM CLADDING SYSTEM

SHADOW
HORIZONTAL FIXING DETAILS



HORIZONTAL CLADDING WALL LAYOUT



SHADOW HORIZONTAL FIXING DETAIL

This information is generic in nature and supplied for guidance purposes only. Top Hat dimensions are nominal. Dimensions, spacing, spans and stiffener requirements will need to be confirmed by a suitably qualified professional to suit the specific application.

By **HVG** façades

hvgfacades.com.au

1300 881 712

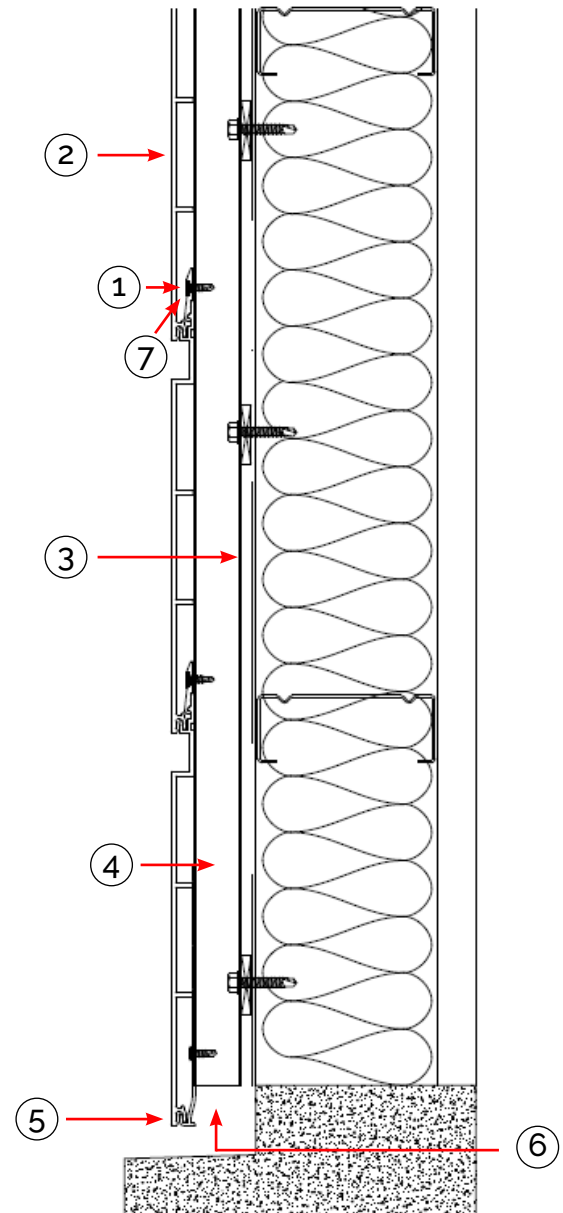
info@hvgfacades.com.au

ZINTL®

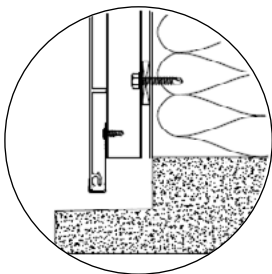
SHADOW HORIZONTAL FIXING DETAIL

BASE DETAIL

- ① Universal Fixing Clip and Screw
- ② ZINTL Board
- ③ Sisalation as per specification
- ④ GAL Top Hat
- ⑤ Base Channel
- ⑥ 15mm Dip Edge
- ⑦ EPDM Foam Strip (optional)



OPTIONAL



SHADOW HORIZONTAL FIXING DETAIL

This information is generic in nature and supplied for guidance purposes only. Top Hat dimensions are nominal. Dimensions, spacing, spans and stiffener requirements will need to be confirmed by a suitably qualified professional to suit the specific application.

By **HVG** façades

hvgfacades.com.au

1300 881 712

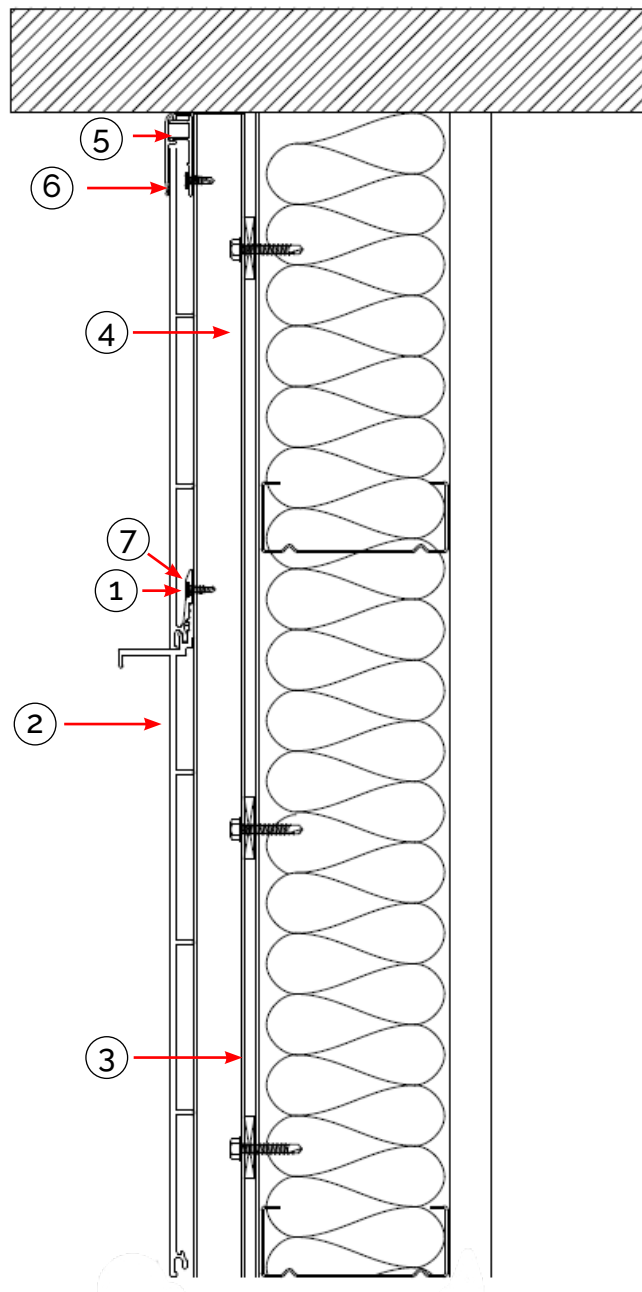
info@hvgfacades.com.au

ZINTL®

SHADOW HORIZONTAL FIXING DETAIL

SOFFIT DETAIL

- ① Universal Fixing Clip and Screw
- ② ZINTL Board
- ③ Sisalation as per specification
- ④ GAL Top Hat
- ⑤ Jamb Flashing Base
- ⑥ Jamb Flashing Cap
- ⑦ EPDM Foam Strip (optional)



SHADOW HORIZONTAL FIXING DETAIL

This information is generic in nature and supplied for guidance purposes only. Top Hat dimensions are nominal. Dimensions, spacing, spans and stiffener requirements will need to be confirmed by a suitably qualified professional to suit the specific application.

By **HVG** façades

hvgfacades.com.au

1300 881 712

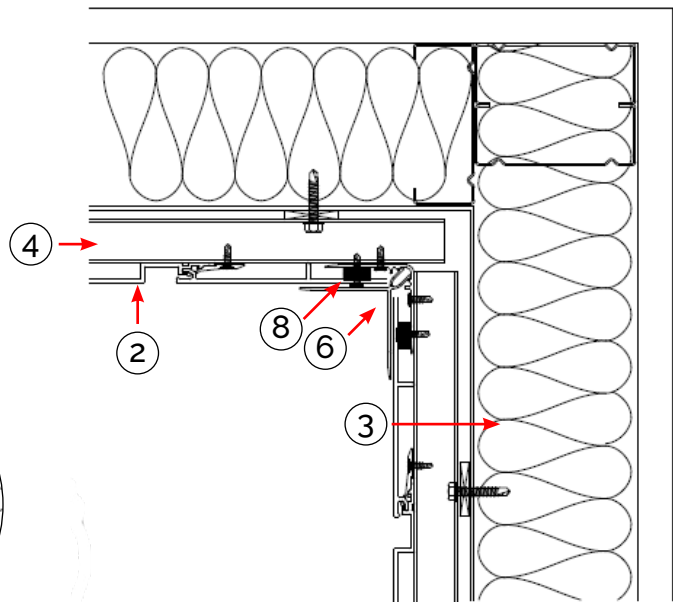
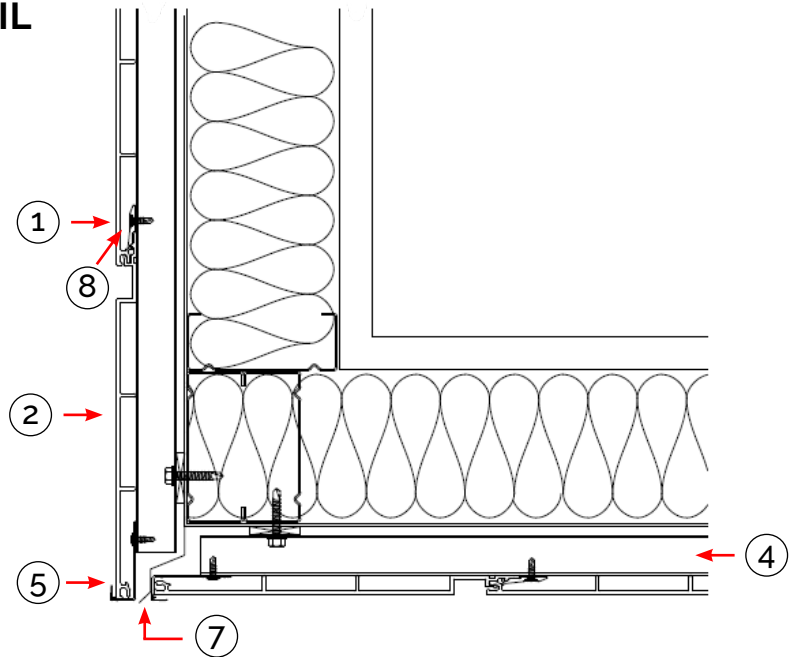
info@hvgfacades.com.au

ZINTL®

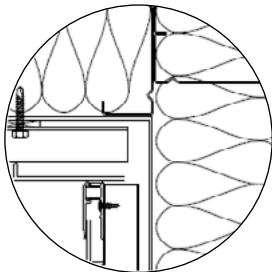
SHADOW HORIZONTAL FIXING DETAIL

WALL TO CONNECTION DETAIL

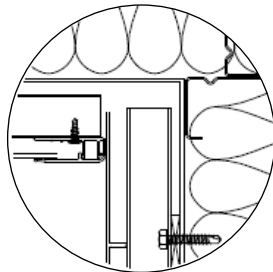
- ① Universal Fixing Clip and Screw
- ② ZINTL Board
- ③ Sisalation as per specification
- ④ GAL Top Hat
- ⑤ Base Channel
- ⑥ Female and Male Corner
- ⑦ Flashing by others
- ⑧ EPDM Foam Strip (optional)



OPTIONAL



OPTIONAL



SHADOW HORIZONTAL FIXING DETAIL

This information is generic in nature and supplied for guidance purposes only. Top Hat dimensions are nominal. Dimensions, spacing, spans and stiffener requirements will need to be confirmed by a suitably qualified professional to suit the specific application.

By **HVG** façades

hvgfacades.com.au

1300 881 712

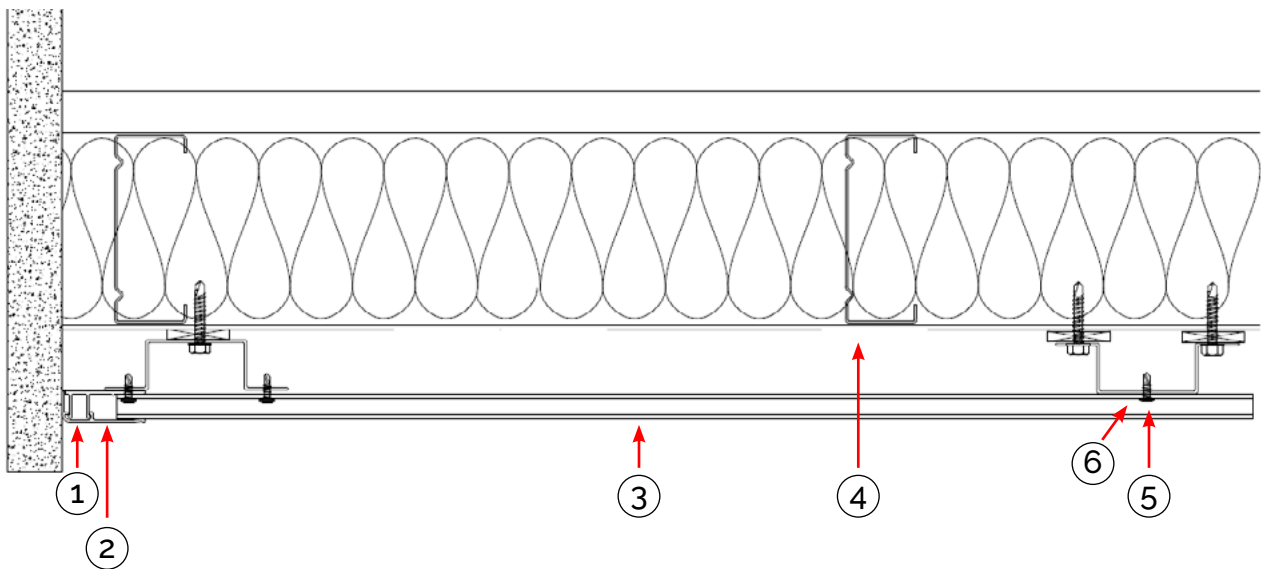
info@hvgfacades.com.au

ZINTL®

SHADOW HORIZONTAL FIXING DETAIL

END FINISH DETAIL

- ① Jamb Flashing Cap
- ② Jamb Flashing Base
- ③ ZINTL Board
- ④ Sisalation as per specification
- ⑤ Universal fixing clip and screw
- ⑥ EPDM Foam Strip (optional)



SHADOW HORIZONTAL FIXING DETAIL

This information is generic in nature and supplied for guidance purposes only. Top Hat dimensions are nominal. Dimensions, spacing, spans and stiffener requirements will need to be confirmed by a suitably qualified professional to suit the specific application.

By **HVG** façades

hvgfacades.com.au

1300 881 712

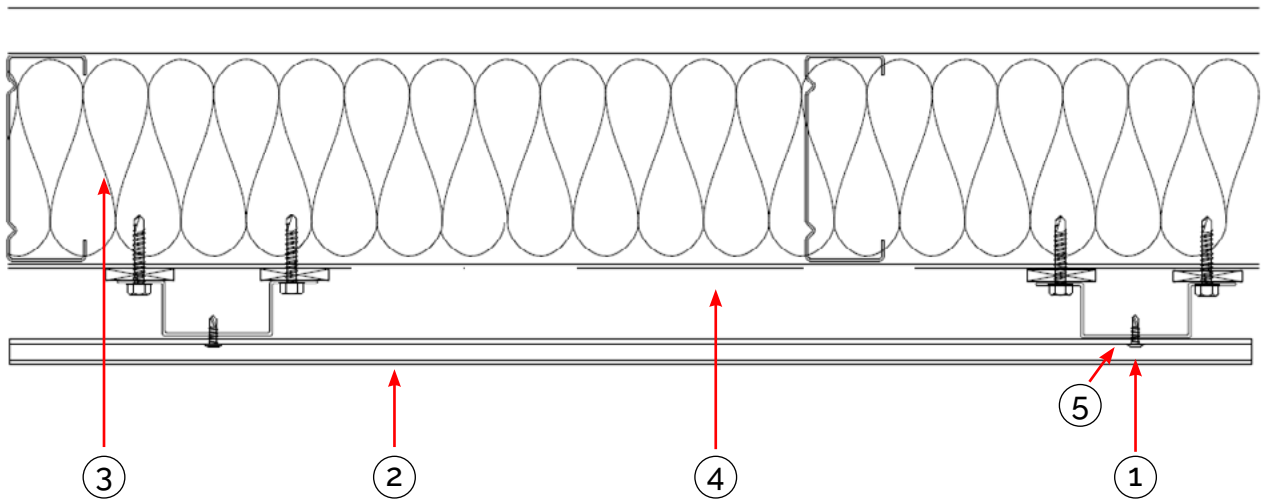
info@hvgfacades.com.au

ZINTL®

SHADOW HORIZONTAL FIXING DETAIL

GENERAL CONNECTION DETAIL

- ① Universal Fixing Clip and Screw
- ② ZINTL Board
- ③ Sisalation as per specification
- ④ GAL Top Hat
- ⑤ EPDM Foam Strip (optional)



SHADOW HORIZONTAL FIXING DETAIL

This information is generic in nature and supplied for guidance purposes only. Top Hat dimensions are nominal. Dimensions, spacing, spans and stiffener requirements will need to be confirmed by a suitably qualified professional to suit the specific application.

By **HVG** façades

hvgfacades.com.au

1300 881 712

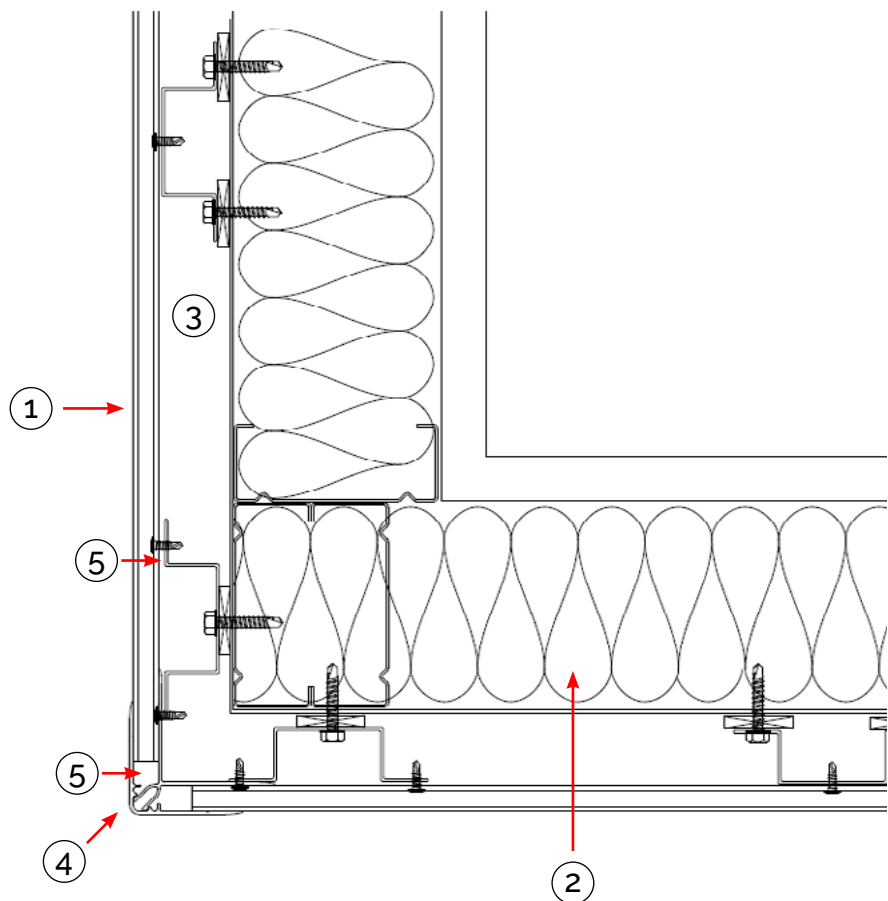
info@hvgfacades.com.au

ZINTL®

SHADOW HORIZONTAL FIXING DETAIL

EXTERNAL CORNER DETAIL

- ① ZINTL Board
- ② Sisalation as per specification
- ③ GAL Top Hat
- ④ Female and Male Corner
- ⑤ EPDM Foam Strip (optional)



SHADOW HORIZONTAL FIXING DETAIL

This information is generic in nature and supplied for guidance purposes only. Top Hat dimensions are nominal. Dimensions, spacing, spans and stiffener requirements will need to be confirmed by a suitably qualified professional to suit the specific application.

By **HVG** façades

hvgfacades.com.au

1300 881 712

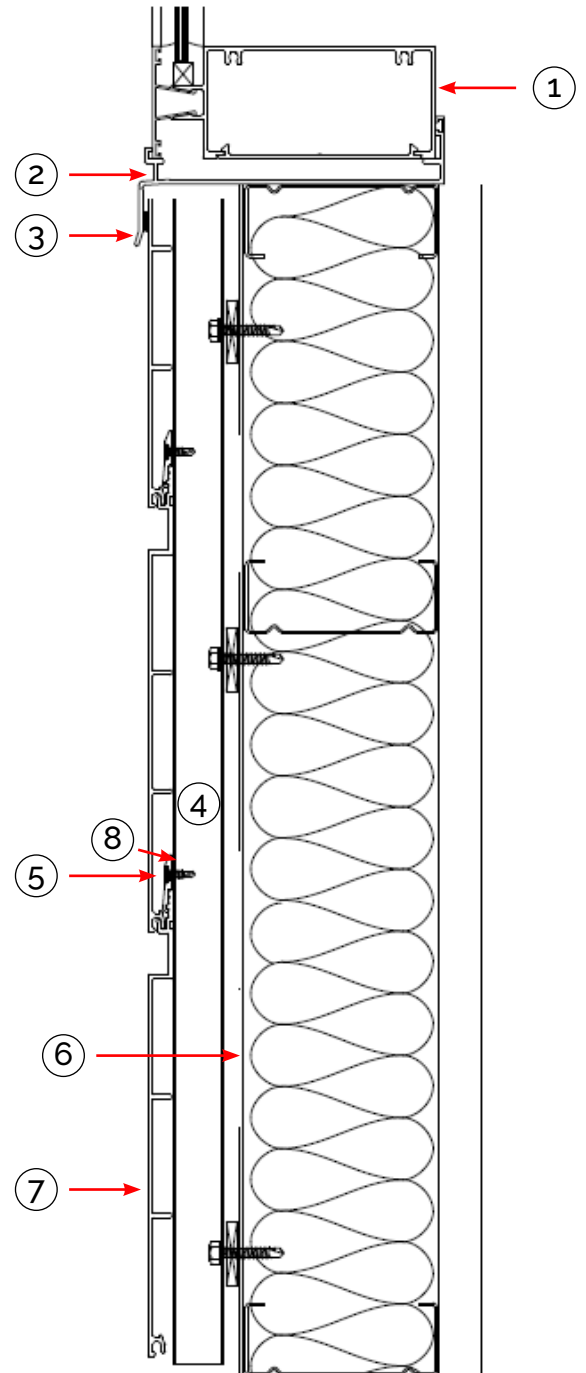
info@hvgfacades.com.au

ZINTL®

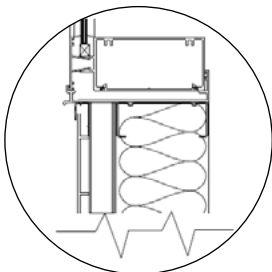
SHADOW HORIZONTAL FIXING DETAIL

WINDOW SILL DETAIL

- ① Window Subframe
- ② Window Sill
- ③ EPDM Foam Tape/Caulking
- ④ GAL Top Hat
- ⑤ Universal Fixing Clip and Screw
- ⑥ Sisalation as per specification
- ⑦ ZINTL Board
- ⑧ EPDM Foam Strip (optional)



OPTIONAL



SHADOW HORIZONTAL FIXING DETAIL

This information is generic in nature and supplied for guidance purposes only. Top Hat dimensions are nominal. Dimensions, spacing, spans and stiffener requirements will need to be confirmed by a suitably qualified professional to suit the specific application.

By **HVG** façades

hvgfacades.com.au

1300 881 712

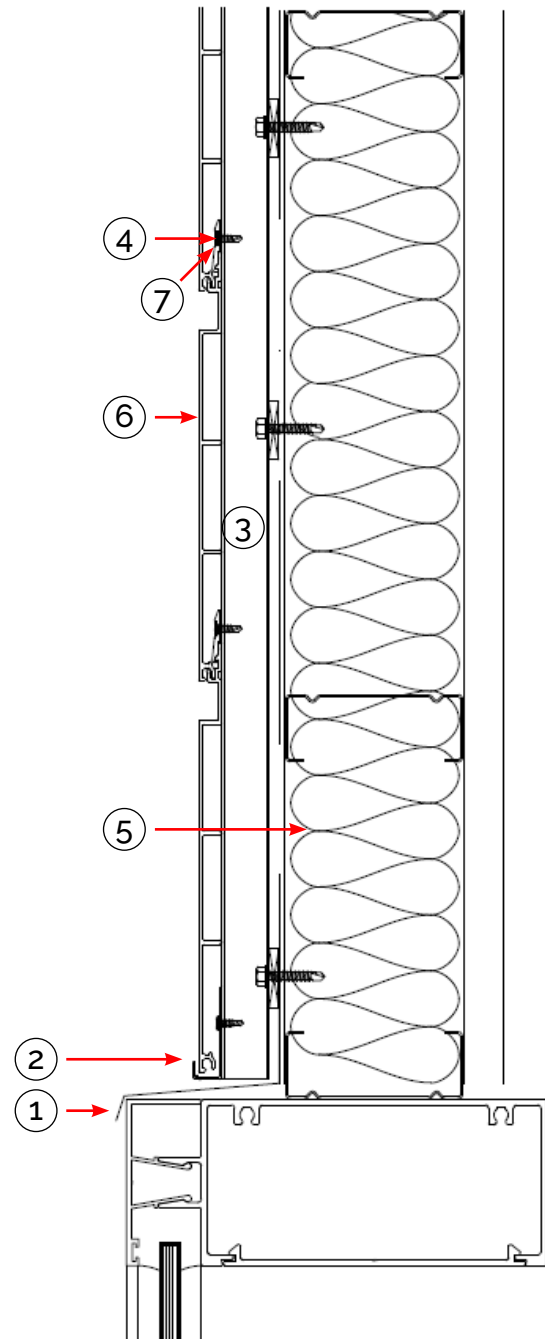
info@hvgfacades.com.au

ZINTL®

SHADOW HORIZONTAL FIXING DETAIL

WINDOW HEAD DETAIL

- ① Flashing by Others
- ② Base Channel
- ③ GAL Top Hat
- ④ Universal Fixing Clip and Screw
- ⑤ Sisalation as per specification
- ⑥ ZINTL Board
- ⑦ EPDM Foam Strip (optional)



SHADOW HORIZONTAL FIXING DETAIL

This information is generic in nature and supplied for guidance purposes only. Top Hat dimensions are nominal. Dimensions, spacing, spans and stiffener requirements will need to be confirmed by a suitably qualified professional to suit the specific application.

By **HVG** façades

hvgfacades.com.au

1300 881 712

info@hvgfacades.com.au

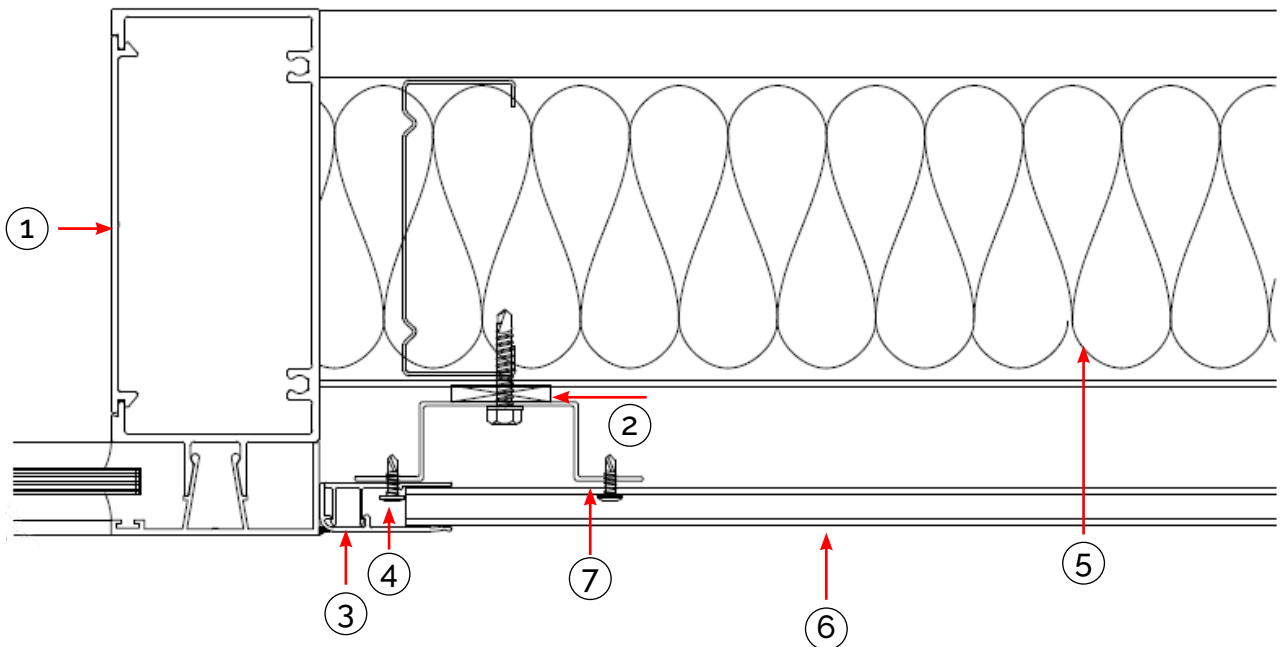
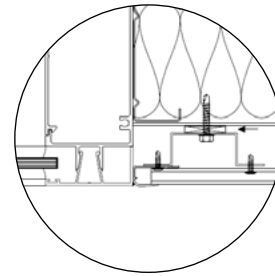
ZINTL®

SHADOW HORIZONTAL FIXING DETAIL

WINDOW JAMB DETAIL

- ① Window Subframe
- ② Packers
- ③ JAMB Flashing Base
- ④ JAMB Flashing Cap
- ⑤ Sisalation as per specification
- ⑥ ZINTL Board
- ⑦ EPDM Foam Strip (optional)

OPTIONAL



SHADOW HORIZONTAL FIXING DETAIL

This information is generic in nature and supplied for guidance purposes only. Top Hat dimensions are nominal. Dimensions, spacing, spans and stiffener requirements will need to be confirmed by a suitably qualified professional to suit the specific application.

By **HVG** façades

hvgfacades.com.au

1300 881 712

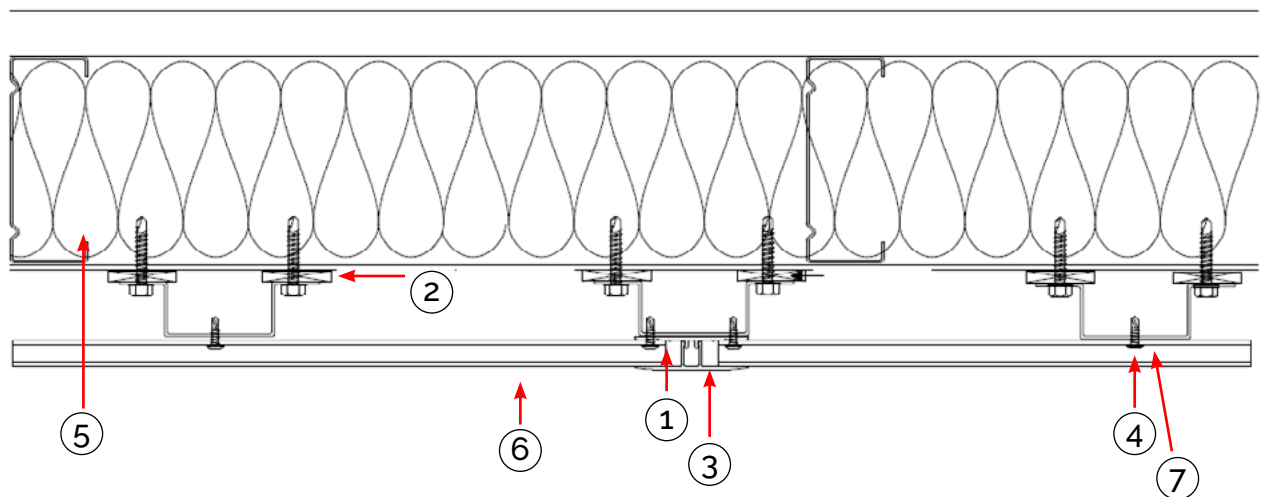
info@hvgfacades.com.au

ZINTL®

SHADOW HORIZONTAL FIXING DETAIL

JOINER DETAIL

- ① Base Joiner
- ② Packers
- ③ External Joiner Cap
- ④ Universal Fixing Clip and Screw
- ⑤ Sisalation as per specification
- ⑥ ZINTL Board
- ⑦ EPDM Foam Strip (optional)



SHADOW HORIZONTAL FIXING DETAIL

This information is generic in nature and supplied for guidance purposes only. Top Hat dimensions are nominal. Dimensions, spacing, spans and stiffener requirements will need to be confirmed by a suitably qualified professional to suit the specific application.

By **HVG** façades

hvgfacades.com.au

1300 881 712

info@hvgfacades.com.au

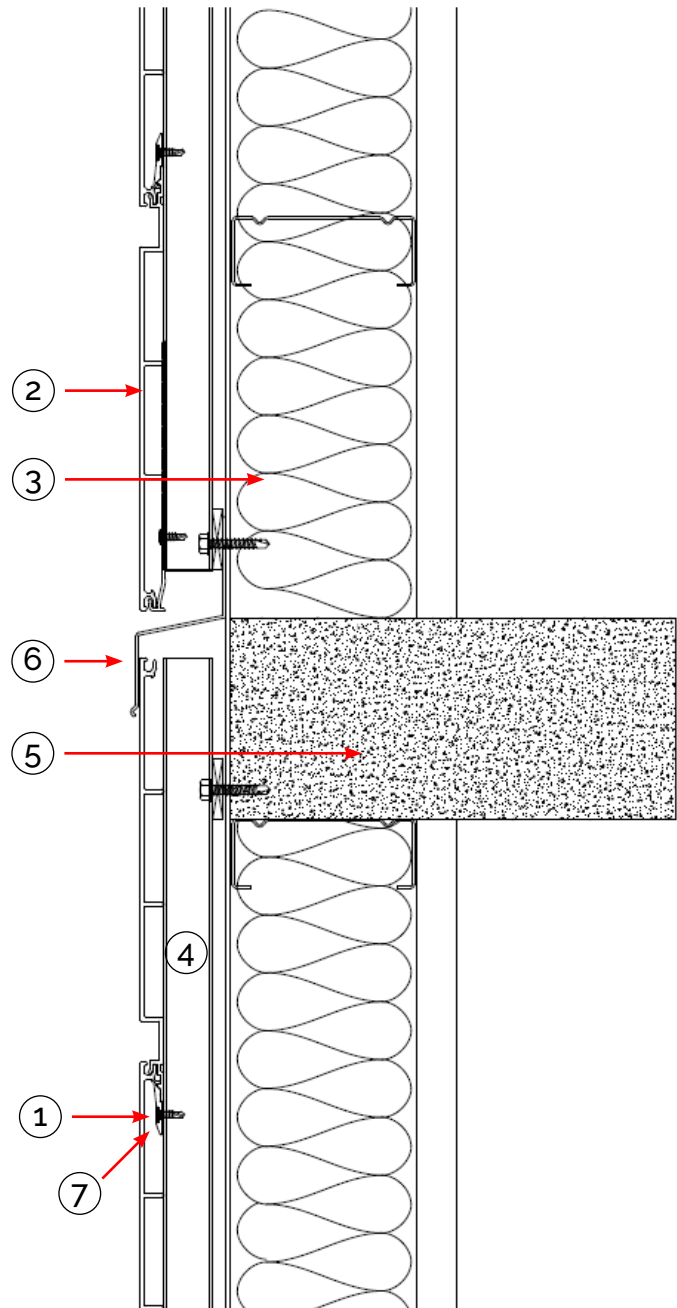
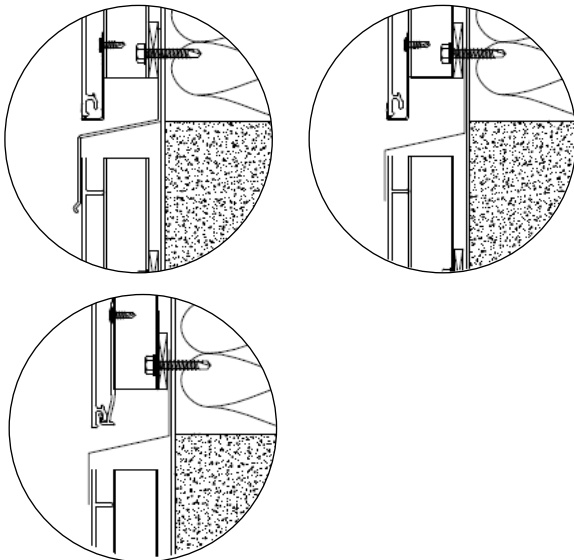
ZINTL®

SHADOW HORIZONTAL FIXING DETAIL

INTERSTOREY JOINT

- ① Universal Fixing Clip and Screw
- ② ZINTL Board
- ③ Sisalation as per specification
- ④ GAL Top Hat
- ⑤ Packers
- ⑥ Interstorey Joiner
- ⑦ EPDM Foam Strip (optional)

OPTIONAL



SHADOW HORIZONTAL FIXING DETAIL

This information is generic in nature and supplied for guidance purposes only. Top Hat dimensions are nominal. Dimensions, spacing, spans and stiffener requirements will need to be confirmed by a suitably qualified professional to suit the specific application.

By **HVG** façades

hvgfacades.com.au

1300 881 712

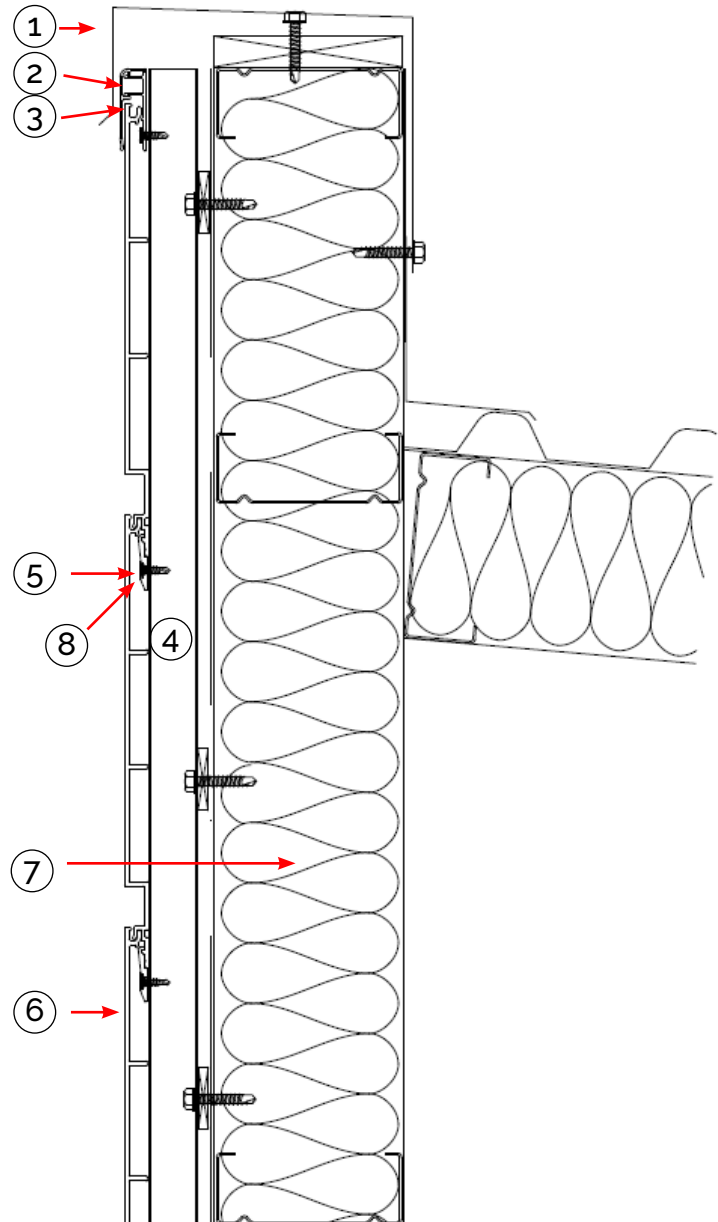
info@hvgfacades.com.au

ZINTL®

SHADOW HORIZONTAL FIXING DETAIL

ROOF TO WALL JUNCTION

- ① Roof Capping by Others
- ② Jamb Flashing Base
- ③ Jamb Flashing Cap
- ④ GAL Top Hat
- ⑤ Universal Fixing Clip & Screw
- ⑥ ZINTL Board
- ⑦ Sisalation as per specification
- ⑧ EPDM Foam Strip (optional)



SHADOW HORIZONTAL FIXING DETAIL

This information is generic in nature and supplied for guidance purposes only. Top Hat dimensions are nominal. Dimensions, spacing, spans and stiffener requirements will need to be confirmed by a suitably qualified professional to suit the specific application.

By **HVG** façades

hvgfacades.com.au

1300 881 712

info@hvgfacades.com.au

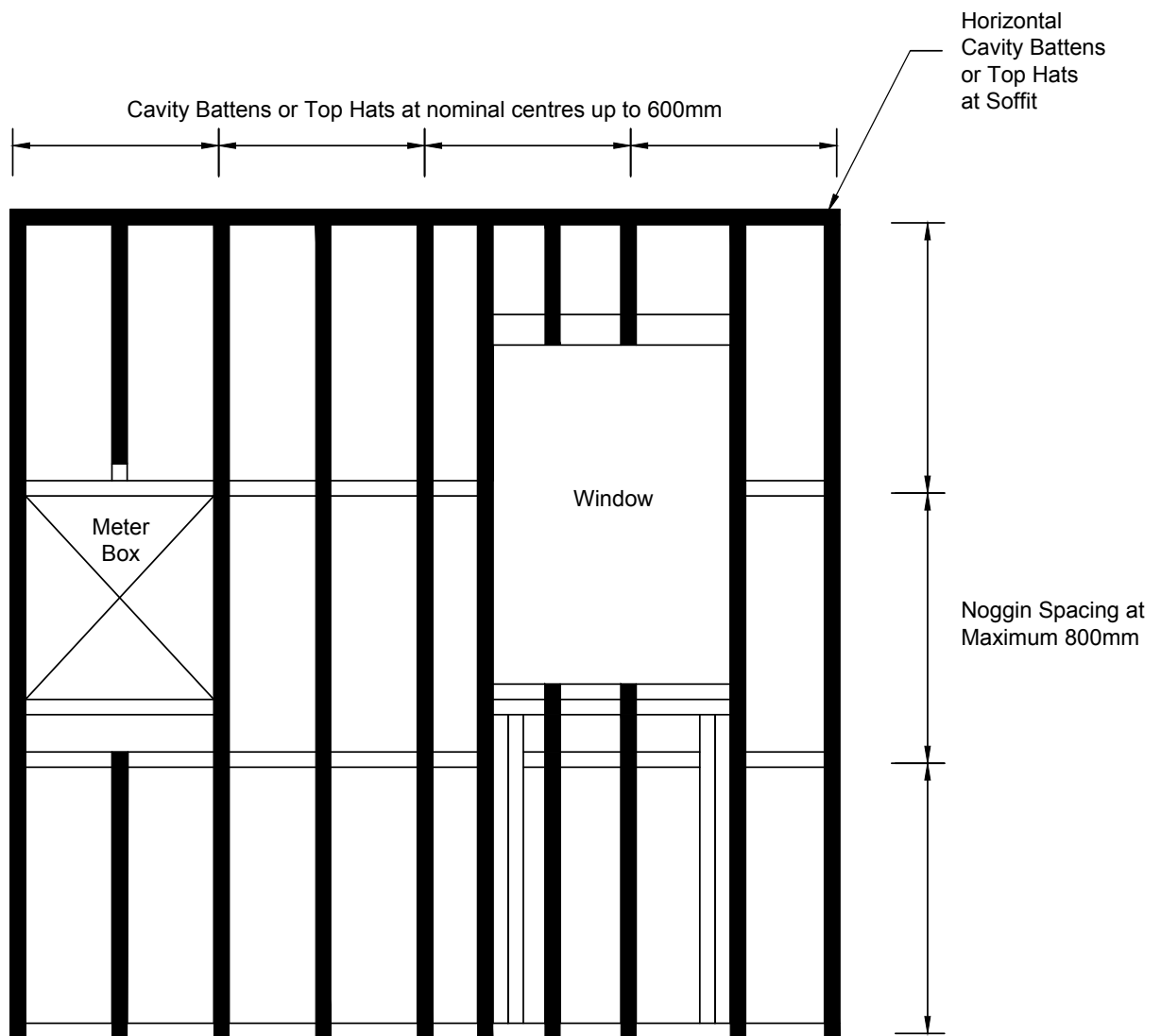
ZINTL®

PREMIUM INTERLOCKING
ALUMINIUM CLADDING SYSTEM

SHIPLAP
HORIZONTAL FIXING DETAILS



HORIZONTAL CLADDING WALL LAYOUT



SHIPLAP HORIZONTAL FIXING DETAIL

This information is generic in nature and supplied for guidance purposes only. Top Hat dimensions are nominal. Dimensions, spacing, spans and stiffener requirements will need to be confirmed by a suitably qualified professional to suit the specific application.

By **HVG** façades

hvgfacades.com.au

1300 881 712

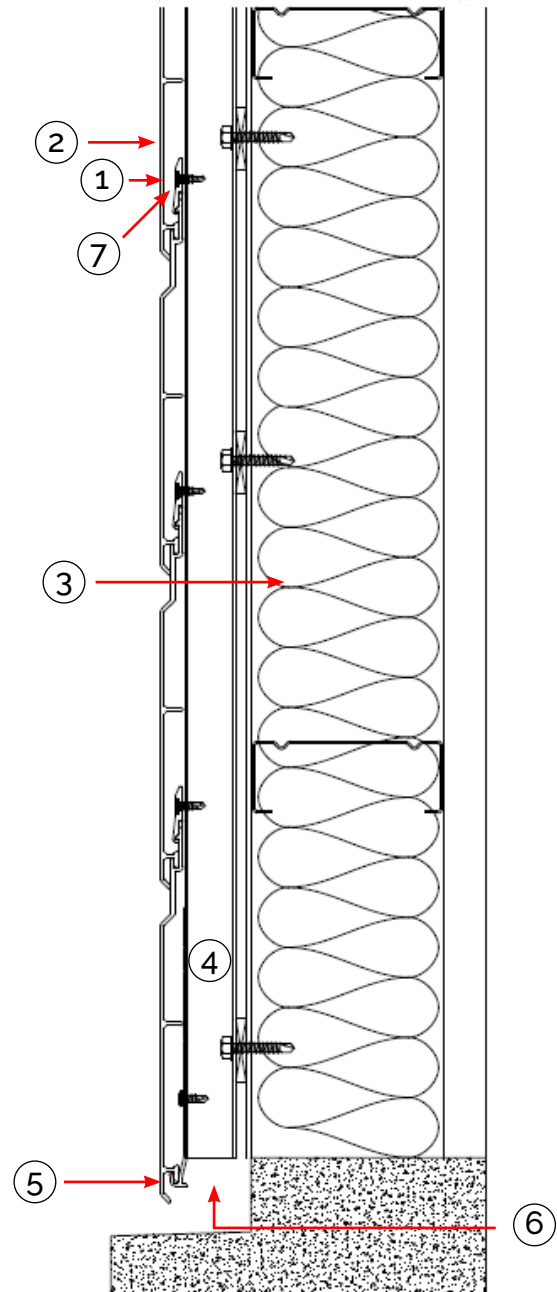
info@hvgfacades.com.au

ZINTL®

SHIPLAP HORIZONTAL FIXING DETAIL

BASE DETAIL

- ① Universal Fixing Clip and Screw
- ② ZINTL Board
- ③ Sisalation as per specification
- ④ GAL Top Hat
- ⑤ Base Channel
- ⑥ 15mm Dip Edge
- ⑦ EPDM Foam Strip (optional)



SHIPLAP HORIZONTAL FIXING DETAIL

This information is generic in nature and supplied for guidance purposes only. Top Hat dimensions are nominal. Dimensions, spacing, spans and stiffener requirements will need to be confirmed by a suitably qualified professional to suit the specific application.

By **HVG** façades

hvgfacades.com.au

1300 881 712

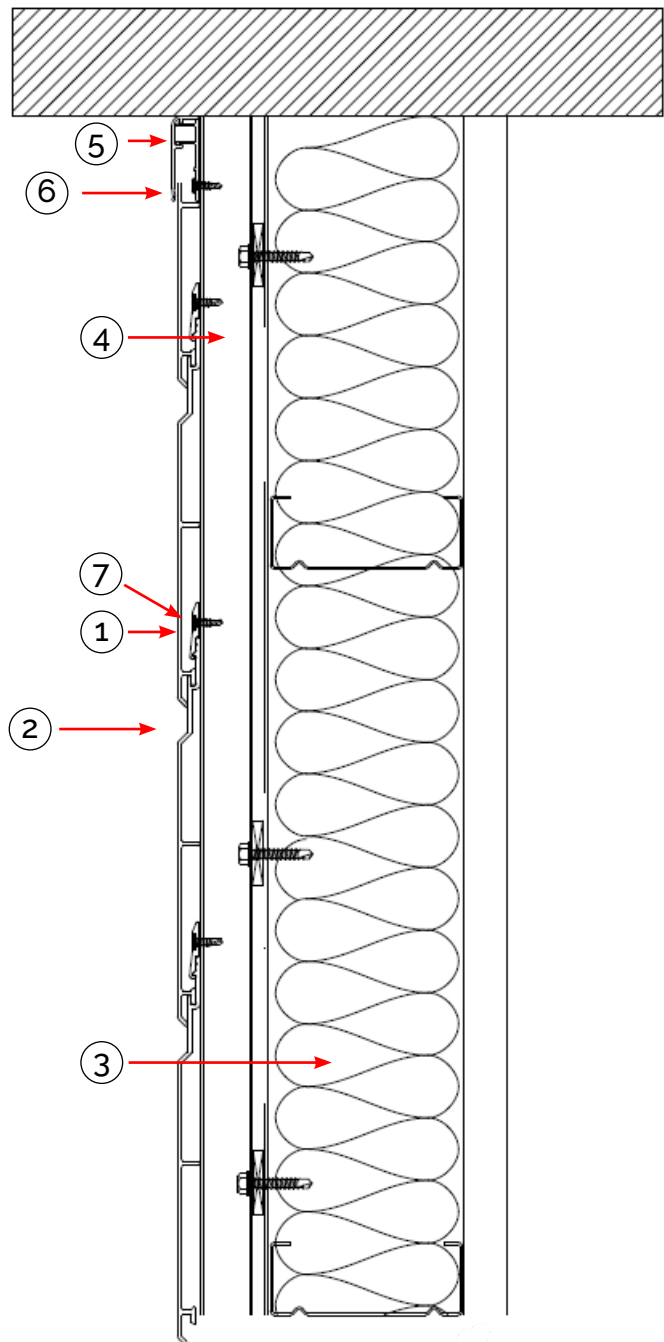
info@hvgfacades.com.au

ZINTL®

SHIPLAP HORIZONTAL FIXING DETAIL

SOFFIT DETAIL

- ① Universal Fixing Clip and Screw
- ② ZINTL Board
- ③ Sisalation as per specification
- ④ GAL Top Hat
- ⑤ Jamb Flashing Base
- ⑥ Jamb Flashing Cap
- ⑦ EPDM Foam Strip (optional)



SHIPLAP HORIZONTAL FIXING DETAIL

This information is generic in nature and supplied for guidance purposes only. Top Hat dimensions are nominal. Dimensions, spacing, spans and stiffener requirements will need to be confirmed by a suitably qualified professional to suit the specific application.

By **HVG** façades

hvgfacades.com.au

1300 881 712

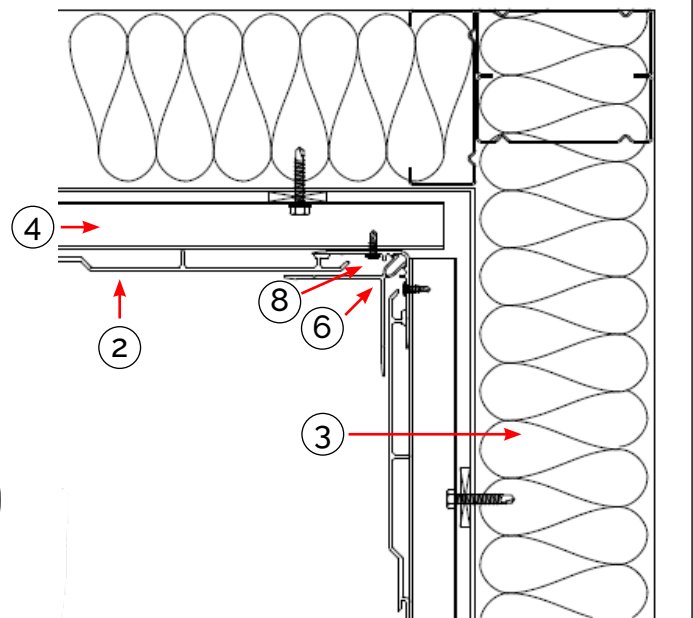
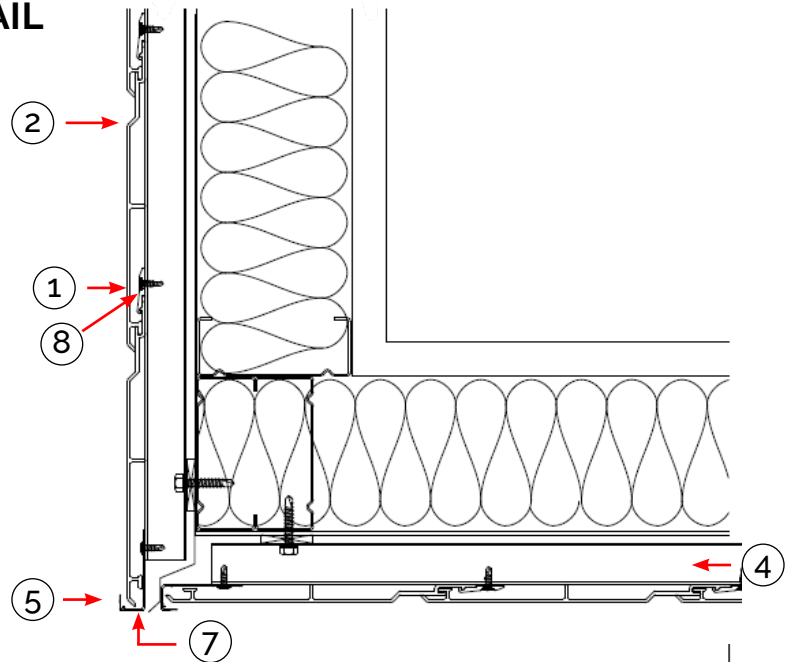
info@hvgfacades.com.au

ZINTL®

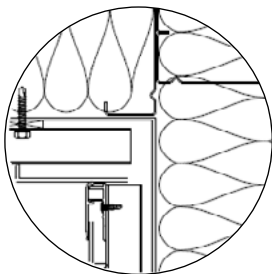
SHIPLAP HORIZONTAL FIXING DETAIL

WALL TO CONNECTION DETAIL

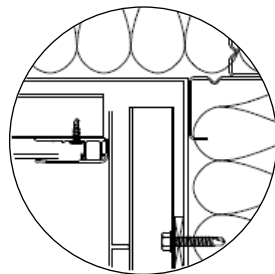
- ① Universal Fixing Clip and Screw
- ② ZINTL Board
- ③ Sisalation as per specification
- ④ GAL Top Hat
- ⑤ Base Channel
- ⑥ Female and Male Corner
- ⑦ Flashing by others
- ⑧ EPDM Foam Strip (optional)



OPTIONAL



OPTIONAL



SHIPLAP HORIZONTAL FIXING DETAIL

This information is generic in nature and supplied for guidance purposes only. Top Hat dimensions are nominal. Dimensions, spacing, spans and stiffener requirements will need to be confirmed by a suitably qualified professional to suit the specific application.

By **HVG** façades

hvgfacades.com.au

1300 881 712

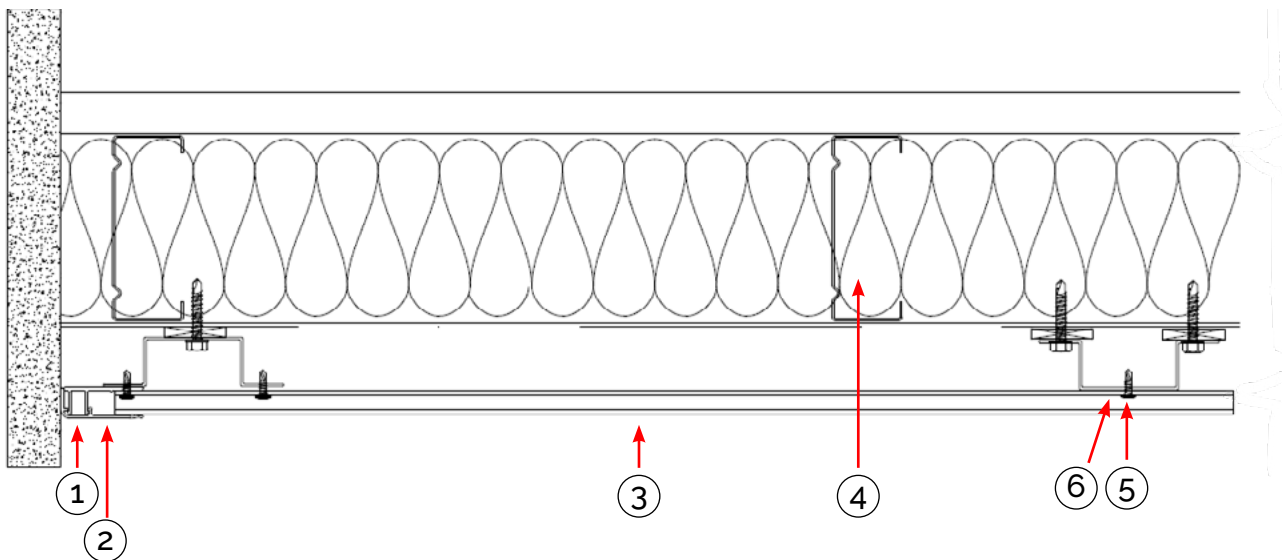
info@hvgfacades.com.au

ZINTL®

SHIPLAP HORIZONTAL FIXING DETAIL

END FINISH DETAIL

- ① Jamb Flashing Cap
- ② Jamb Flashing Base
- ③ ZINTL Board
- ④ Sisalation as per specification
- ⑤ Universal fixing clip and screw
- ⑥ EPDM Foam Strip (optional)



SHIPLAP HORIZONTAL FIXING DETAIL

This information is generic in nature and supplied for guidance purposes only. Top Hat dimensions are nominal. Dimensions, spacing, spans and stiffener requirements will need to be confirmed by a suitably qualified professional to suit the specific application.

By **HVG** façades

hvgfacades.com.au

1300 881 712

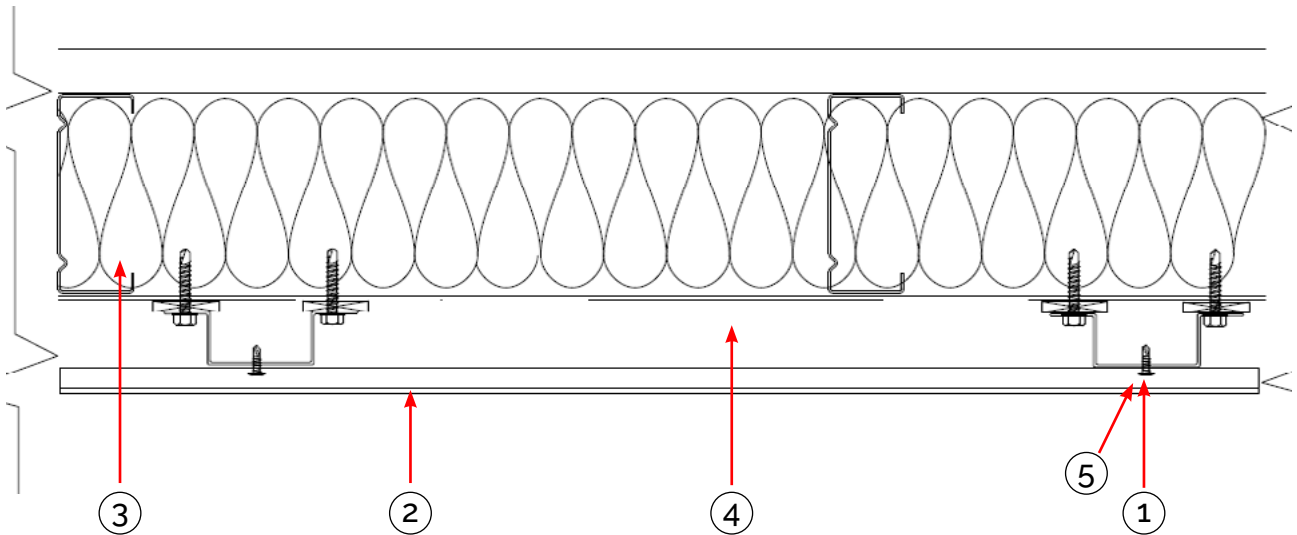
info@hvgfacades.com.au

ZINTL®

SHIPLAP HORIZONTAL FIXING DETAIL

GENERAL CONNECTION DETAIL

- ① Universal Fixing Clip and Screw
- ② ZINTL Board
- ③ Sisalation as per specification
- ④ GAL Top Hat
- ⑤ EPDM Foam Strip (optional)



SHIPLAP HORIZONTAL FIXING DETAIL

This information is generic in nature and supplied for guidance purposes only. Top Hat dimensions are nominal. Dimensions, spacing, spans and stiffener requirements will need to be confirmed by a suitably qualified professional to suit the specific application.

By **HVG** façades

hvgfacades.com.au

1300 881 712

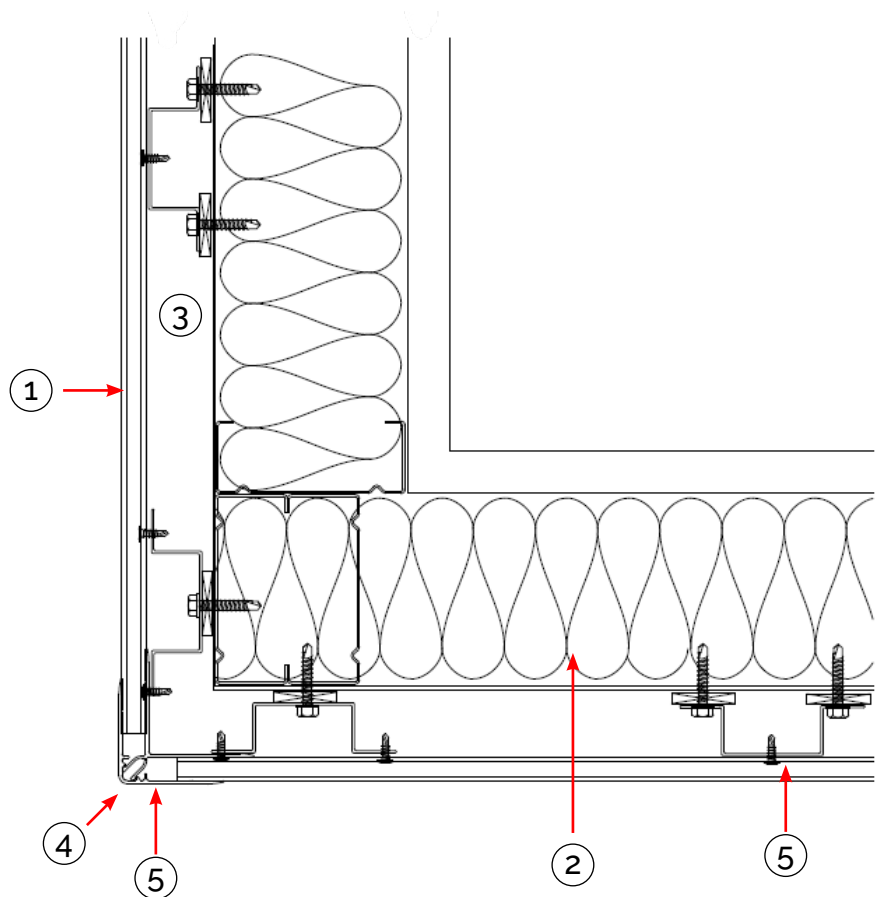
info@hvgfacades.com.au

ZINTL®

SHIPLAP HORIZONTAL FIXING DETAIL

EXTERNAL CORNER DETAIL

- ① ZINTL Board
- ② Sisalation as per specification
- ③ GAL Top Hat
- ④ Female and Male Corner
- ⑤ EPDM Foam Strip (optional)



SHIPLAP HORIZONTAL FIXING DETAIL

This information is generic in nature and supplied for guidance purposes only. Top Hat dimensions are nominal. Dimensions, spacing, spans and stiffener requirements will need to be confirmed by a suitably qualified professional to suit the specific application.

By **HVG** façades

hvgfacades.com.au

1300 881 712

info@hvgfacades.com.au

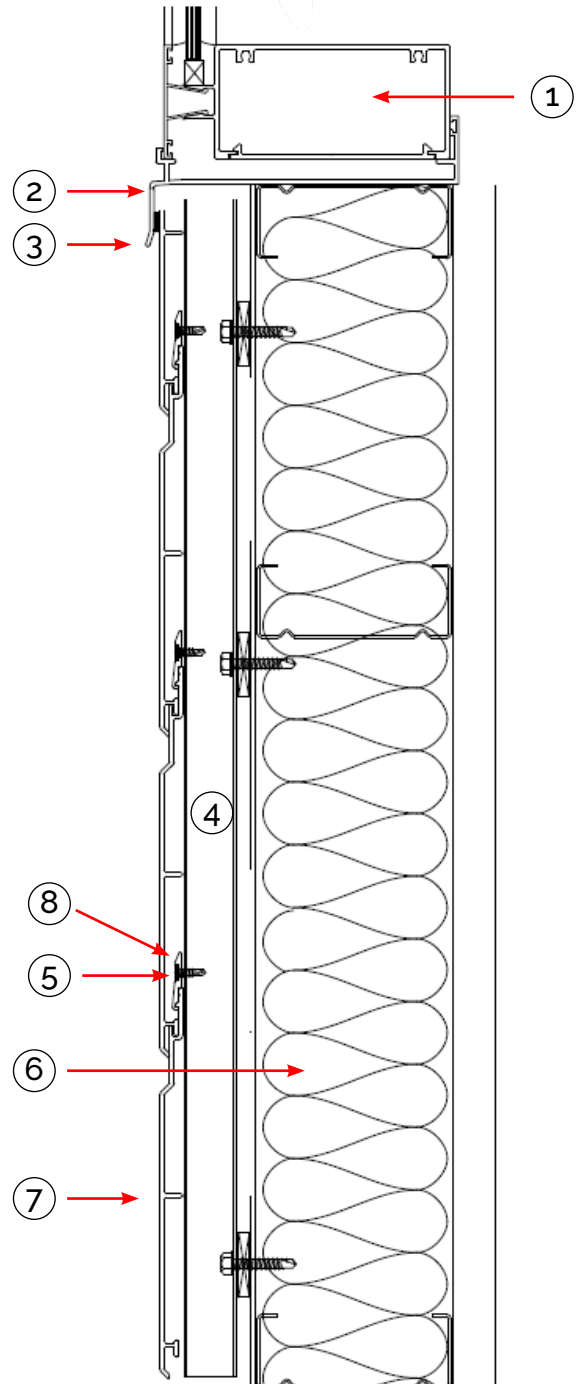
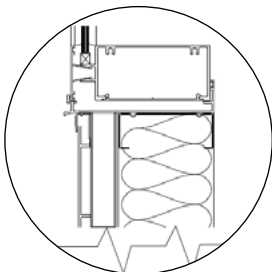
ZINTL®

SHIPLAP HORIZONTAL FIXING DETAIL

WINDOW SILL DETAIL

- ① Window Subframe
- ② Window Sill
- ③ EPDM Foam Tape/Caulking
- ④ GAL Top Hat
- ⑤ Universal Fixing Clip and Screw
- ⑥ Sisalation as per specification
- ⑦ ZINTL Board
- ⑧ EPDM Foam Strip (optional)

OPTIONAL



SHIPLAP HORIZONTAL FIXING DETAIL

This information is generic in nature and supplied for guidance purposes only. Top Hat dimensions are nominal. Dimensions, spacing, spans and stiffener requirements will need to be confirmed by a suitably qualified professional to suit the specific application.

By **HVG** façades

hvgfacades.com.au

1300 881 712

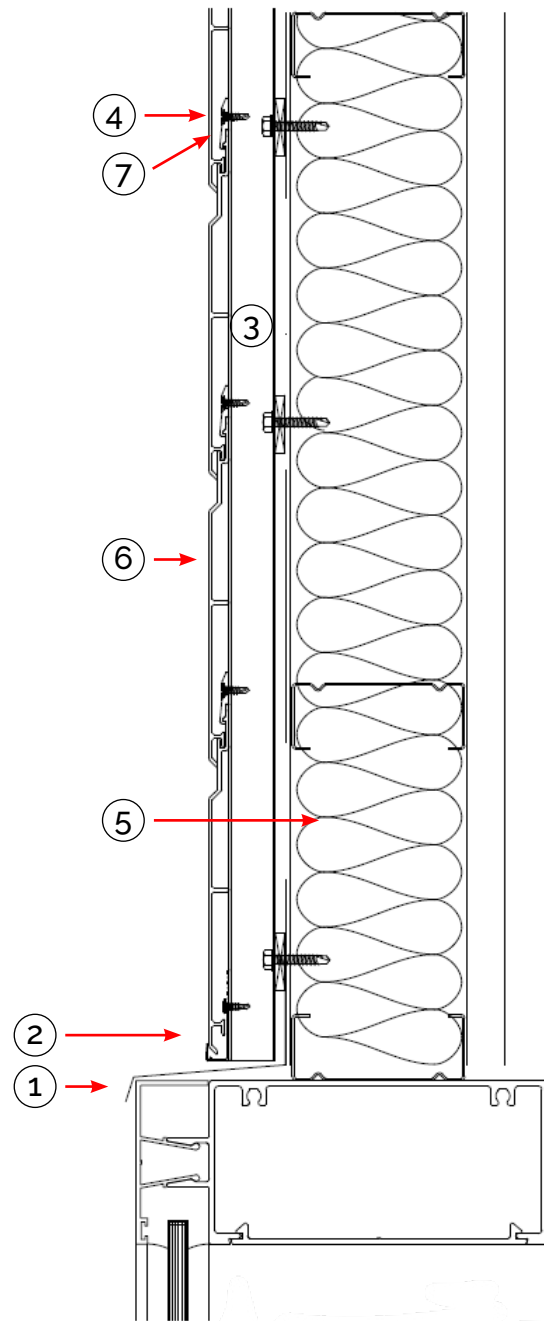
info@hvgfacades.com.au

ZINTL®

SHIPLAP HORIZONTAL FIXING DETAIL

WINDOW HEAD DETAIL

- ① Flashing by Others
- ② Base Channel
- ③ GAL Top Hat
- ④ Universal Fixing Clip and Screw
- ⑤ Sisalation as per specification
- ⑥ ZINTL Board
- ⑦ EPDM Foam Strip (optional)



SHIPLAP HORIZONTAL FIXING DETAIL

This information is generic in nature and supplied for guidance purposes only. Top Hat dimensions are nominal. Dimensions, spacing, spans and stiffener requirements will need to be confirmed by a suitably qualified professional to suit the specific application.

By **HVG** façades

hvgfacades.com.au

1300 881 712

info@hvgfacades.com.au

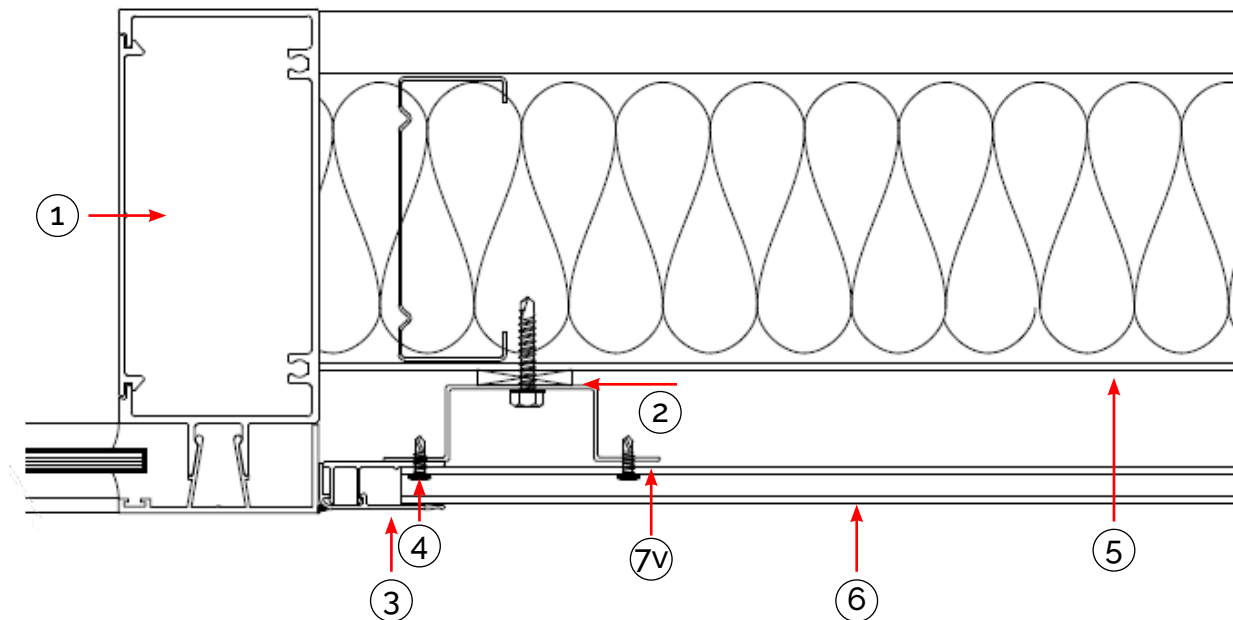
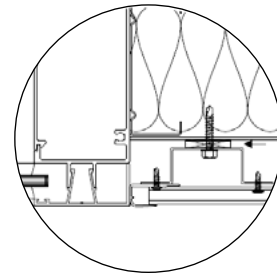
ZINTL®

SHIPLAP HORIZONTAL FIXING DETAIL

WINDOW JAMB DETAIL

- ① Window Subframe
- ② Packers
- ③ JAMB Flashing Base
- ④ JAMB Flashing Cap
- ⑤ Sisalation as per specification
- ⑥ ZINTL Board
- ⑦ EPDM Foam Strip (optional)

OPTIONAL



SHIPLAP HORIZONTAL FIXING DETAIL

This information is generic in nature and supplied for guidance purposes only. Top Hat dimensions are nominal. Dimensions, spacing, spans and stiffener requirements will need to be confirmed by a suitably qualified professional to suit the specific application.

By **HVG** façades

hvgfacades.com.au

1300 881 712

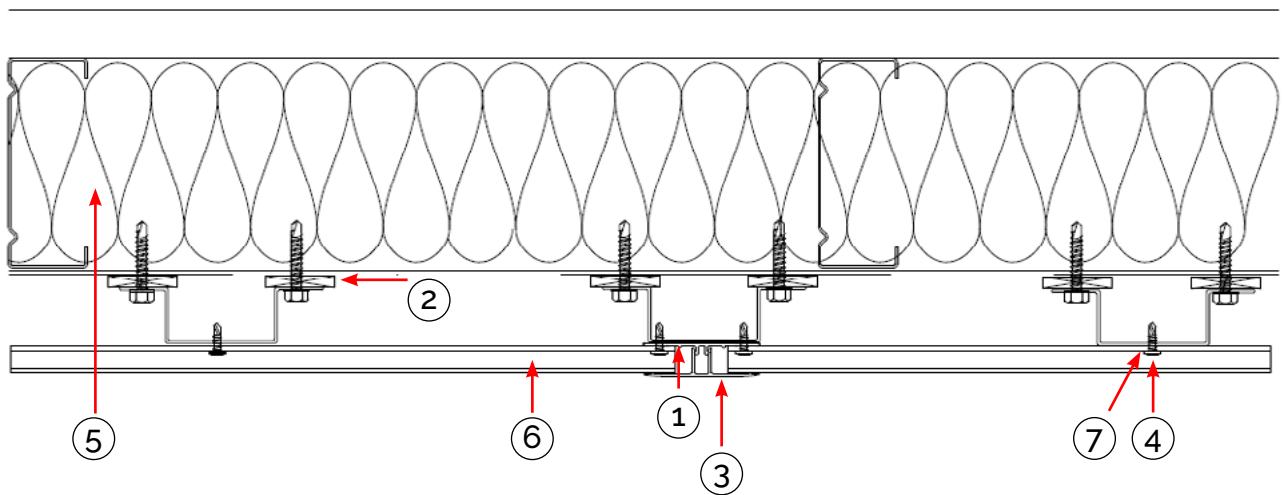
info@hvgfacades.com.au

ZINTL®

SHIPLAP HORIZONTAL FIXING DETAIL

JOINER DETAIL

- ① Base Joiner
- ② Packers
- ③ External Joiner Cap
- ④ Universal Fixing Clip and Screw
- ⑤ Sisalation as per specification
- ⑥ ZINTL Board
- ⑦ EPDM Foam Strip (optional)



SHIPLAP HORIZONTAL FIXING DETAIL

This information is generic in nature and supplied for guidance purposes only. Top Hat dimensions are nominal. Dimensions, spacing, spans and stiffener requirements will need to be confirmed by a suitably qualified professional to suit the specific application.

By **HVG** façades

hvgfacades.com.au

1300 881 712

info@hvgfacades.com.au

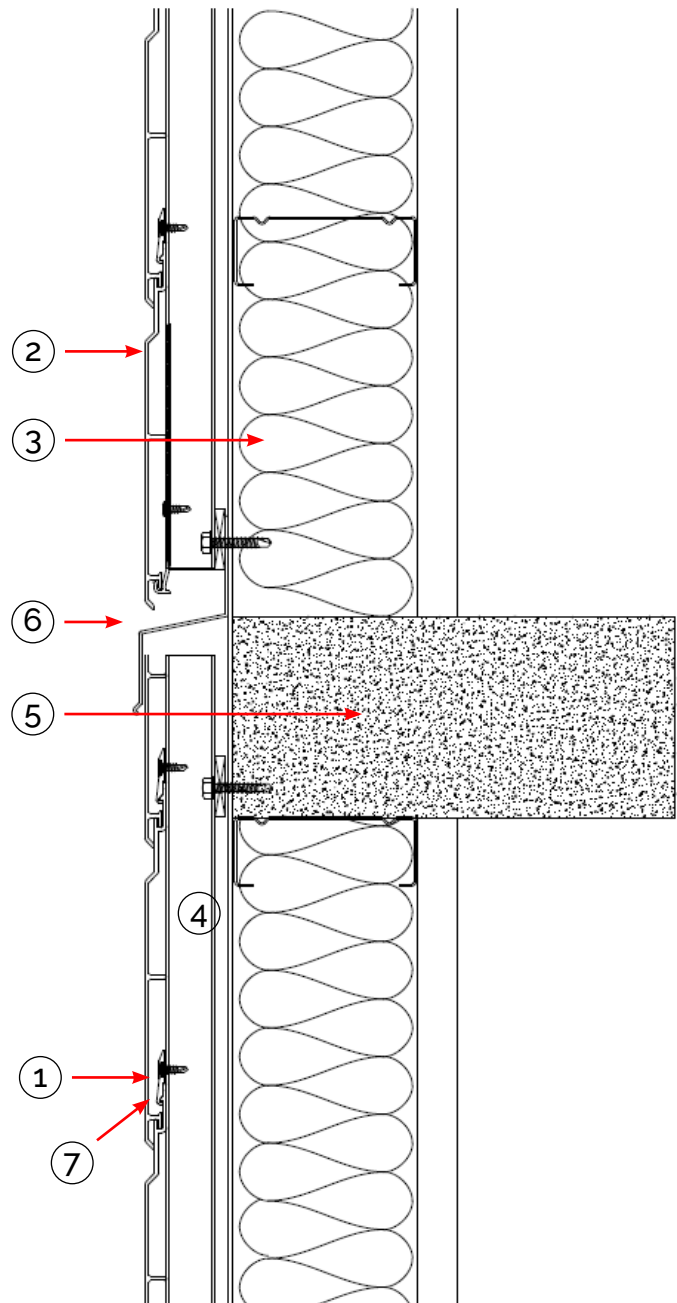
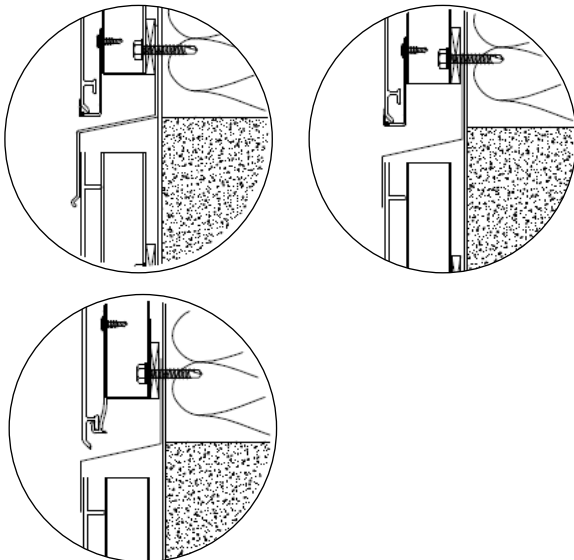
ZINTL®

SHIPLAP HORIZONTAL FIXING DETAIL

INTERSTOREY JOINT

- ① Universal Fixing Clip and Screw
- ② ZINTL Board
- ③ Sisalation as per specification
- ④ GAL Top Hat
- ⑤ Packers
- ⑥ Interstorey Joiner
- ⑦ EPDM Foam Strip (optional)

OPTIONAL



SHIPLAP HORIZONTAL FIXING DETAIL

This information is generic in nature and supplied for guidance purposes only. Top Hat dimensions are nominal. Dimensions, spacing, spans and stiffener requirements will need to be confirmed by a suitably qualified professional to suit the specific application.

By **HVG** façades

hvgfacades.com.au

1300 881 712

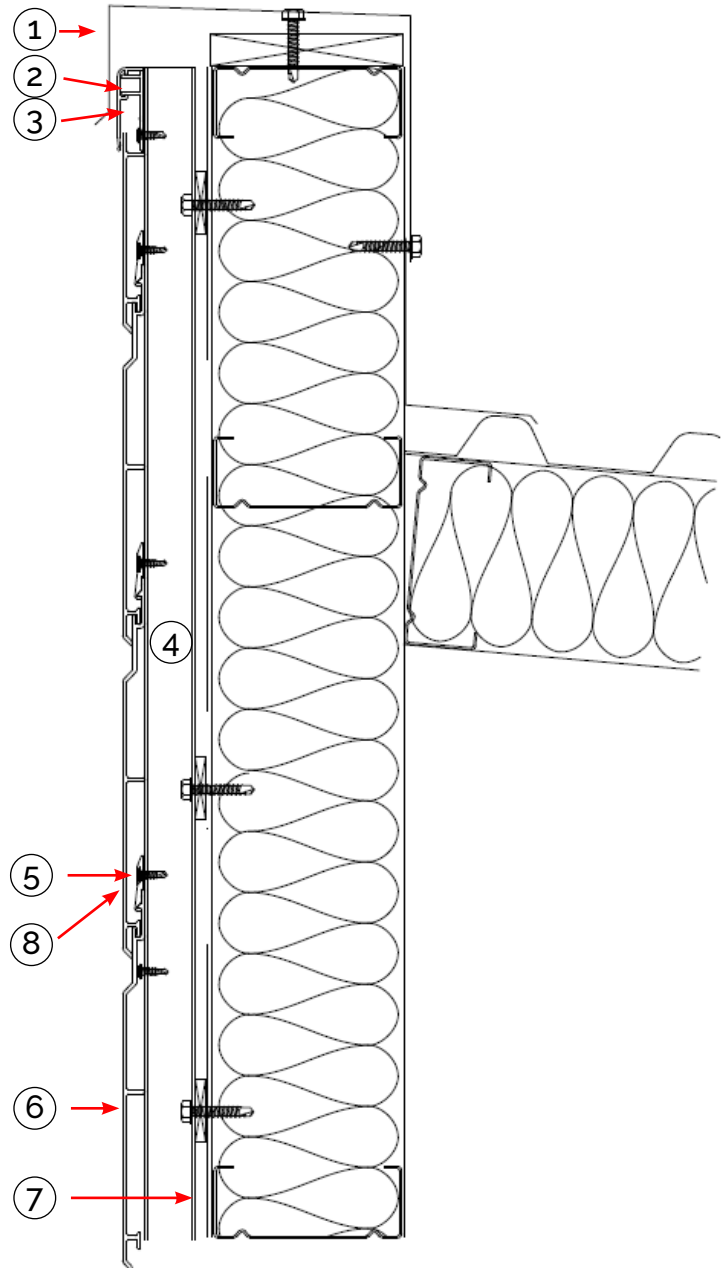
info@hvgfacades.com.au

ZINTL®

SHIPLAP HORIZONTAL FIXING DETAIL

ROOF TO WALL JUNCTION

- ① Roof Capping by Others
- ② Jamb Flashing Base
- ③ Jamb Flashing Cap
- ④ GAL Top Hat
- ⑤ Universal Fixing Clip & Screw
- ⑥ ZINTL Board
- ⑦ Sisalation as per specification
- ⑧ EPDM Foam Strip (optional)



SHIPLAP HORIZONTAL FIXING DETAIL

This information is generic in nature and supplied for guidance purposes only. Top Hat dimensions are nominal. Dimensions, spacing, spans and stiffener requirements will need to be confirmed by a suitably qualified professional to suit the specific application.

By **HVG** façades

hvgfacades.com.au

1300 881 712

info@hvgfacades.com.au

ZINTL®

PREMIUM INTERLOCKING
ALUMINIUM CLADDING SYSTEM



By **HVG** façades

hvgfacades.com.au | 1300 881 712

SYDNEY
29 Henderson Street
Turrella NSW 2205

MELBOURNE
25 West Park Drive
Derrimut VIC 3026

BRISBANE
128 Mica Street
Carole Park QLD 4300

PERTH
72 Bushland Ridge
Bibra Lake WA 6163

ADELAIDE
57 Barnes Avenue
Marleston SA 5033